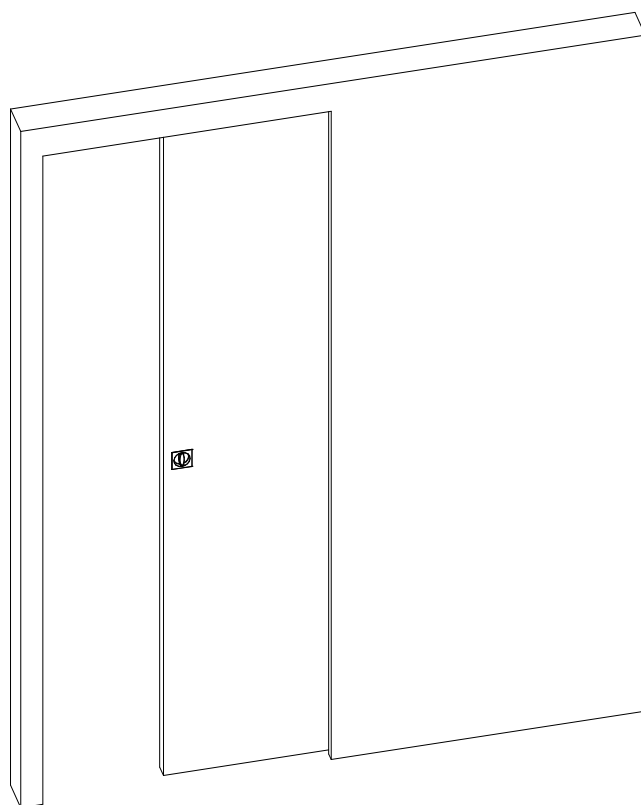


Ermetika[®]
I N S I D E W A L L S



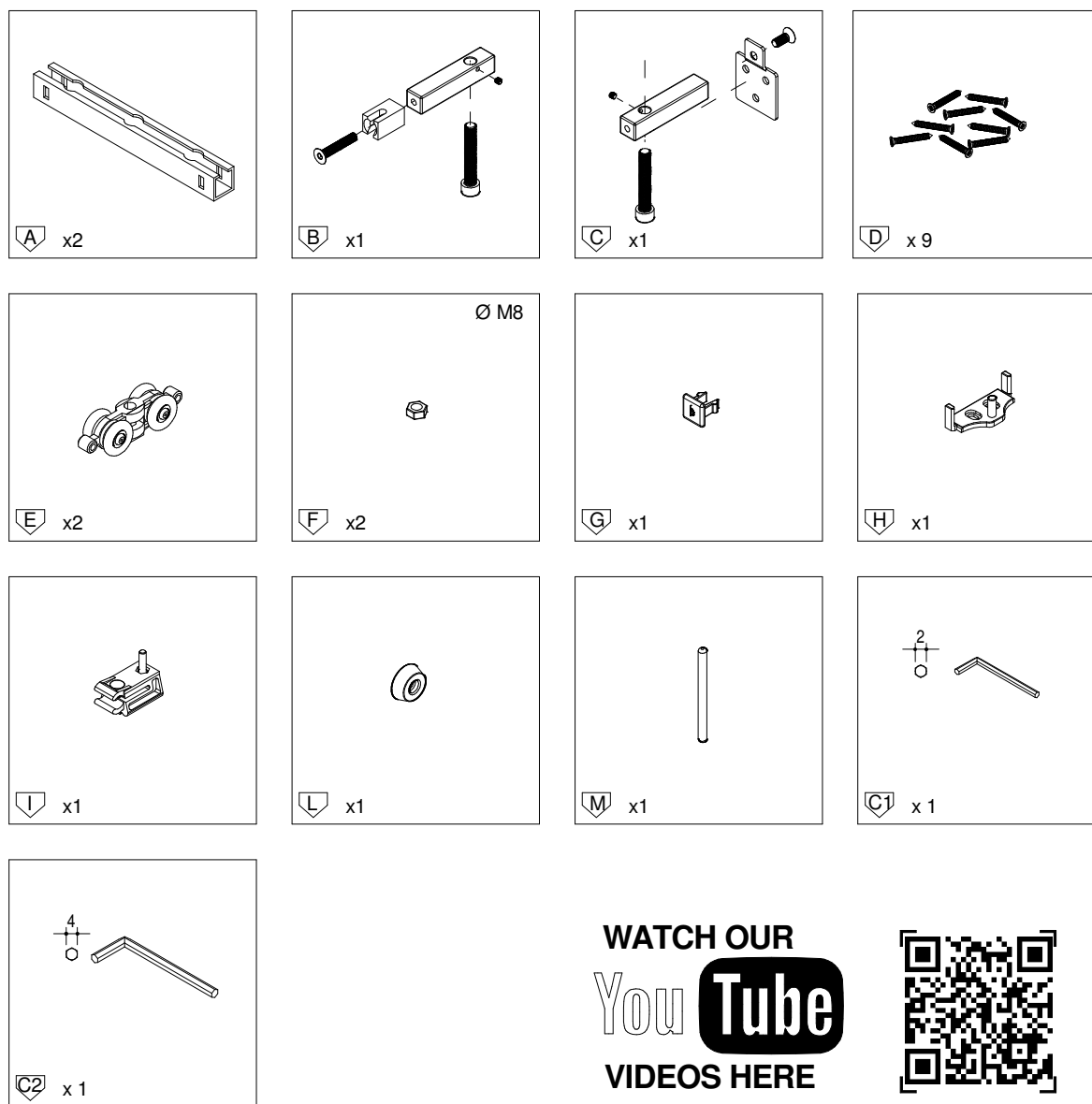
**ISTRUZIONE DI MONTAGGIO ANTA
DOOR INSTALLATION INSTRUCTION
INSTRUCTION MONTAGE DE LA PORTE
INSTRUCCIONES DE MONTAJE HOJA**

MODELLI: - ABSOLUTE EVO
MODELS: - ABSOLUTE EVOKIT
- ABSOLUTE EVO TH

A.776.2

CONTENUTO KIT | CONTENTS

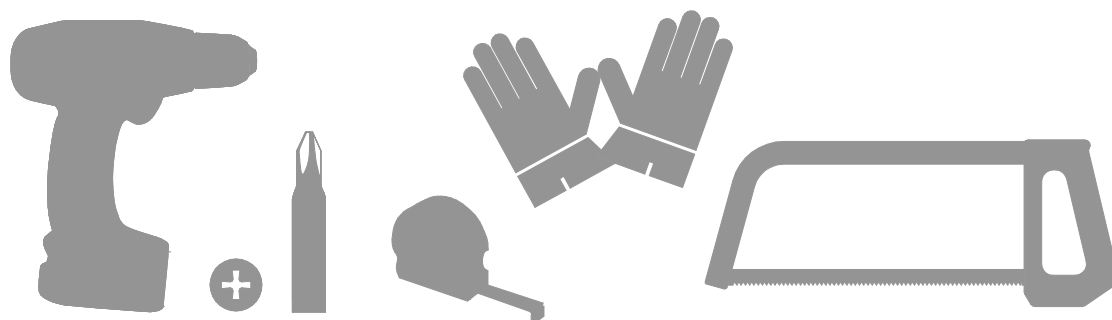
Dotazione - Standard equipment - Equipement standard - Equipo standard



WATCH OUR
You Tube
VIDEOS HERE

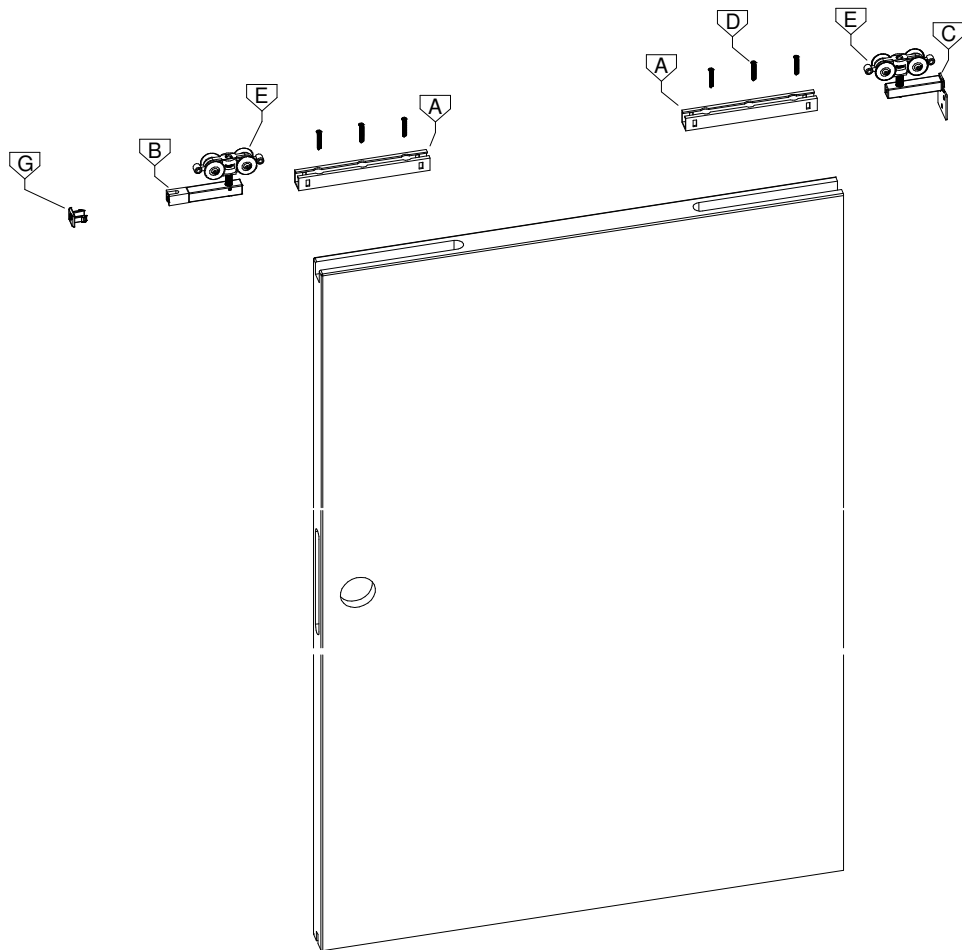


Attrezzatura - Tools - Outils - Herrajes



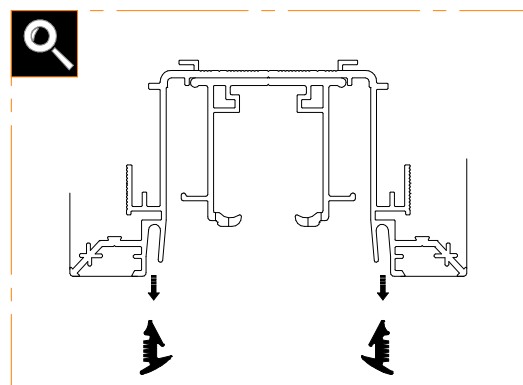
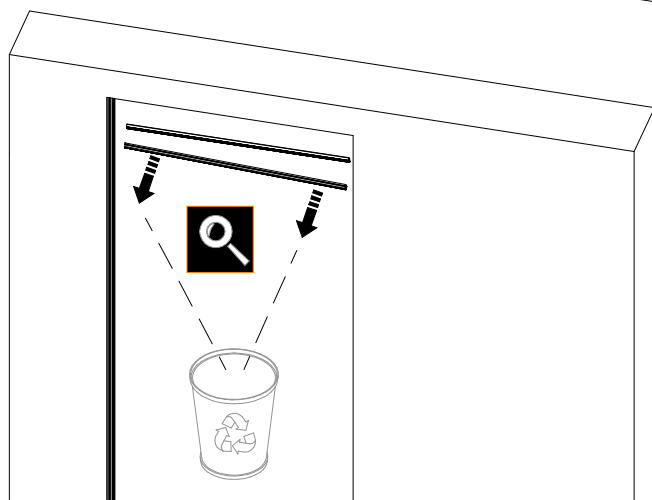
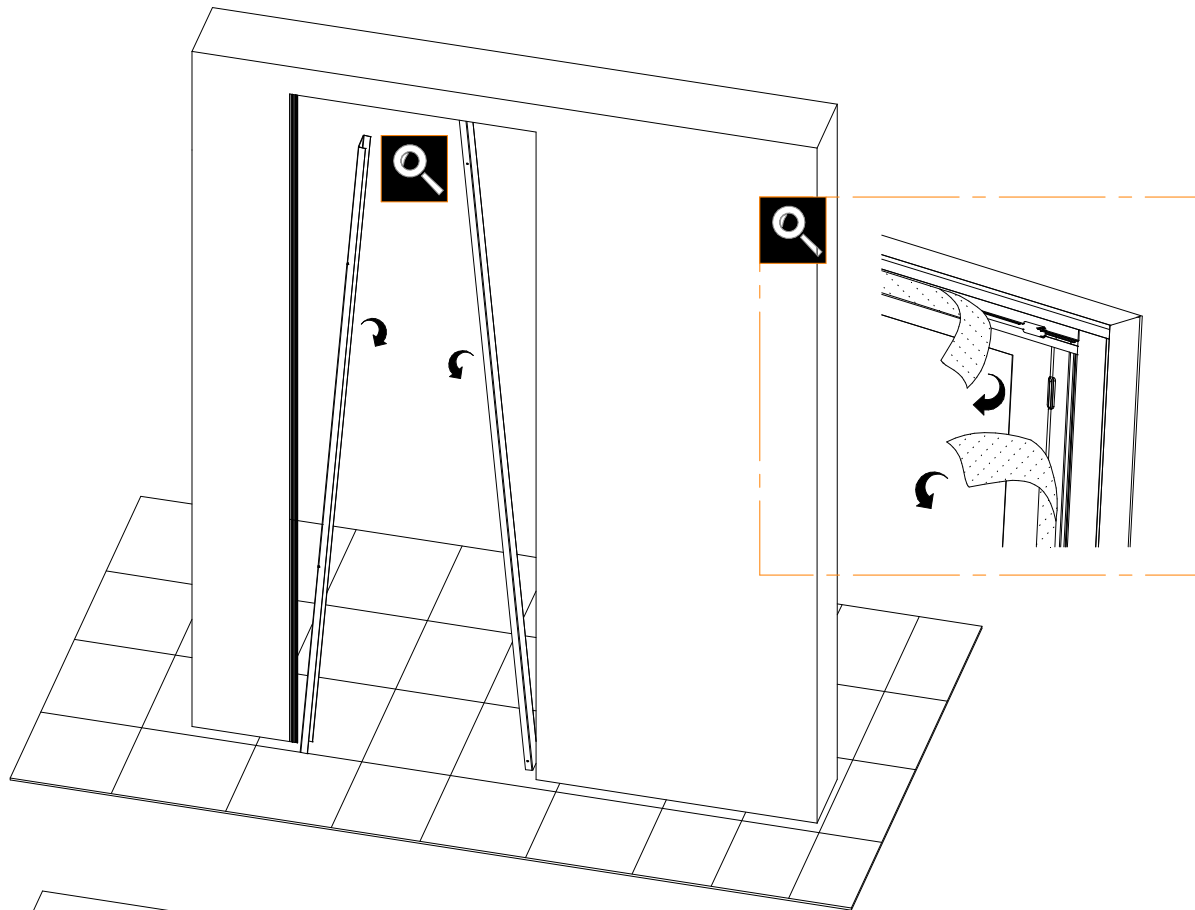
CONTENUTO KIT | CONTENTS

Panoramica - Overall view - Vue d'ensemble - General

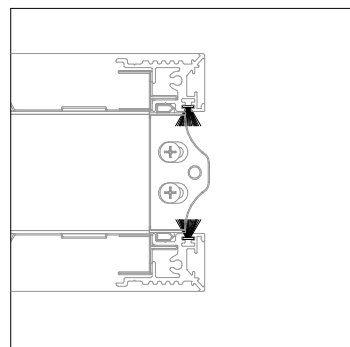
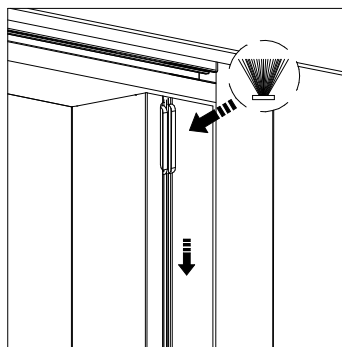
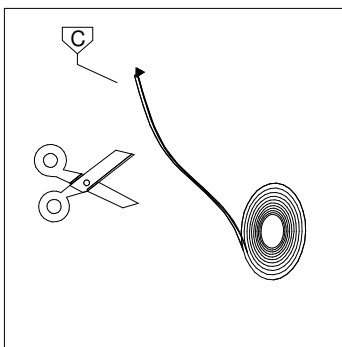
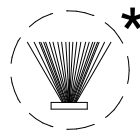
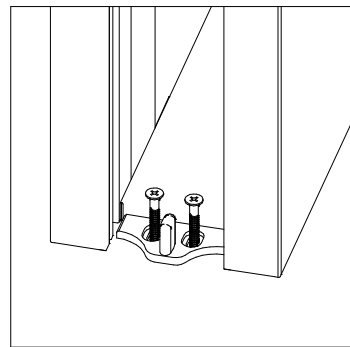
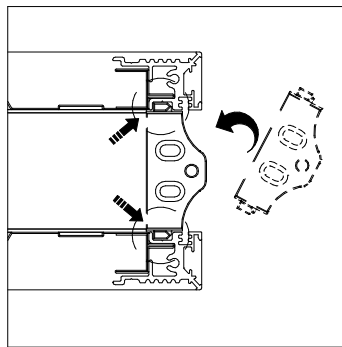
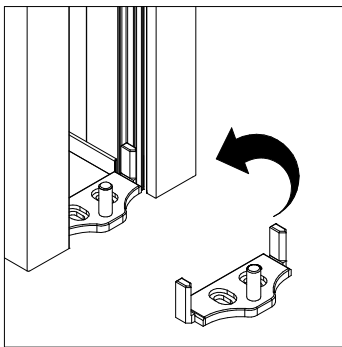
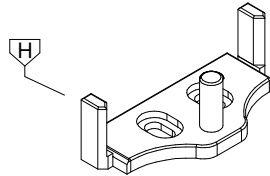


Subject to misprints, errors and technical modifications.
All dimensions are in mm

1.1

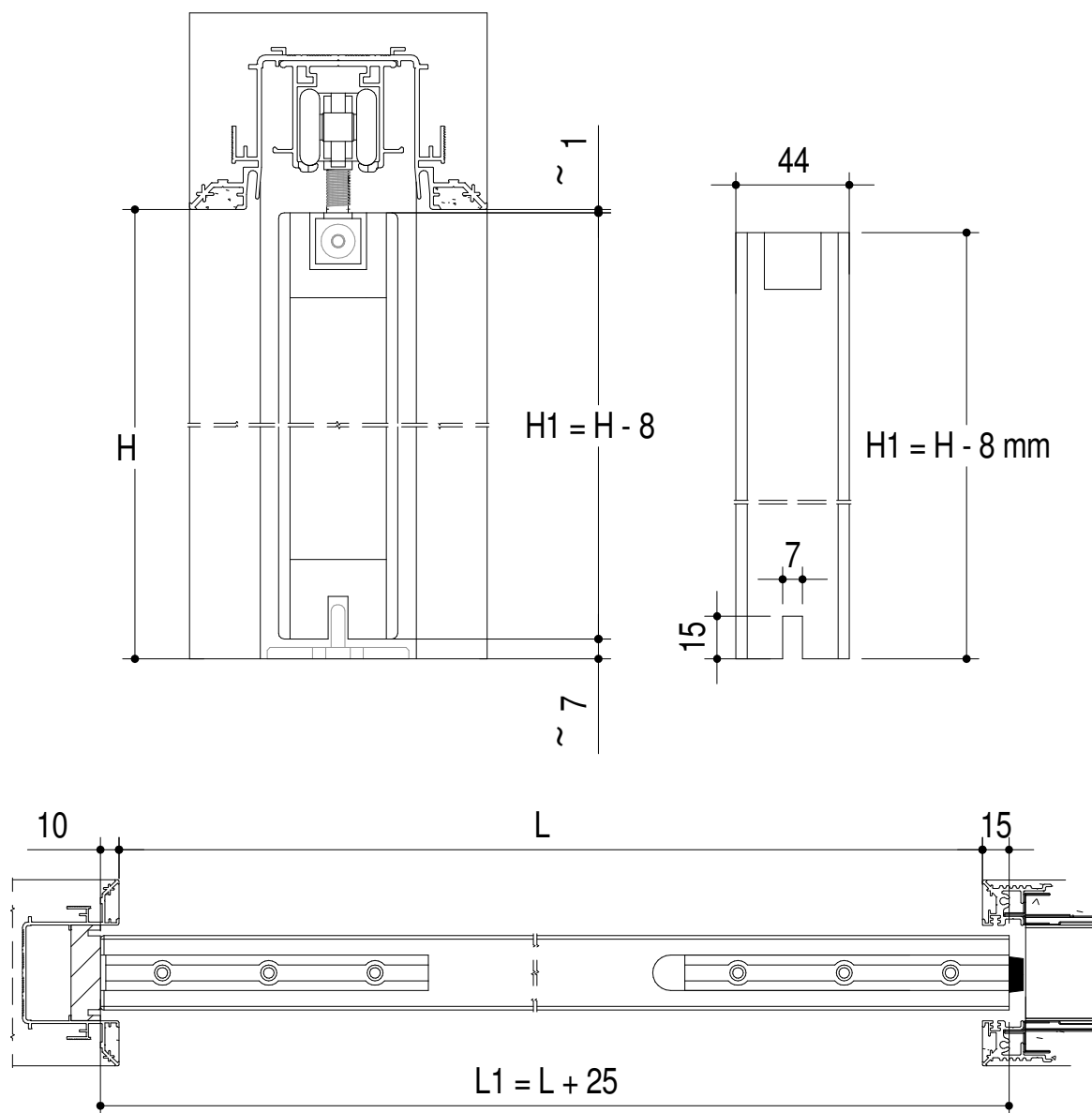


1.2



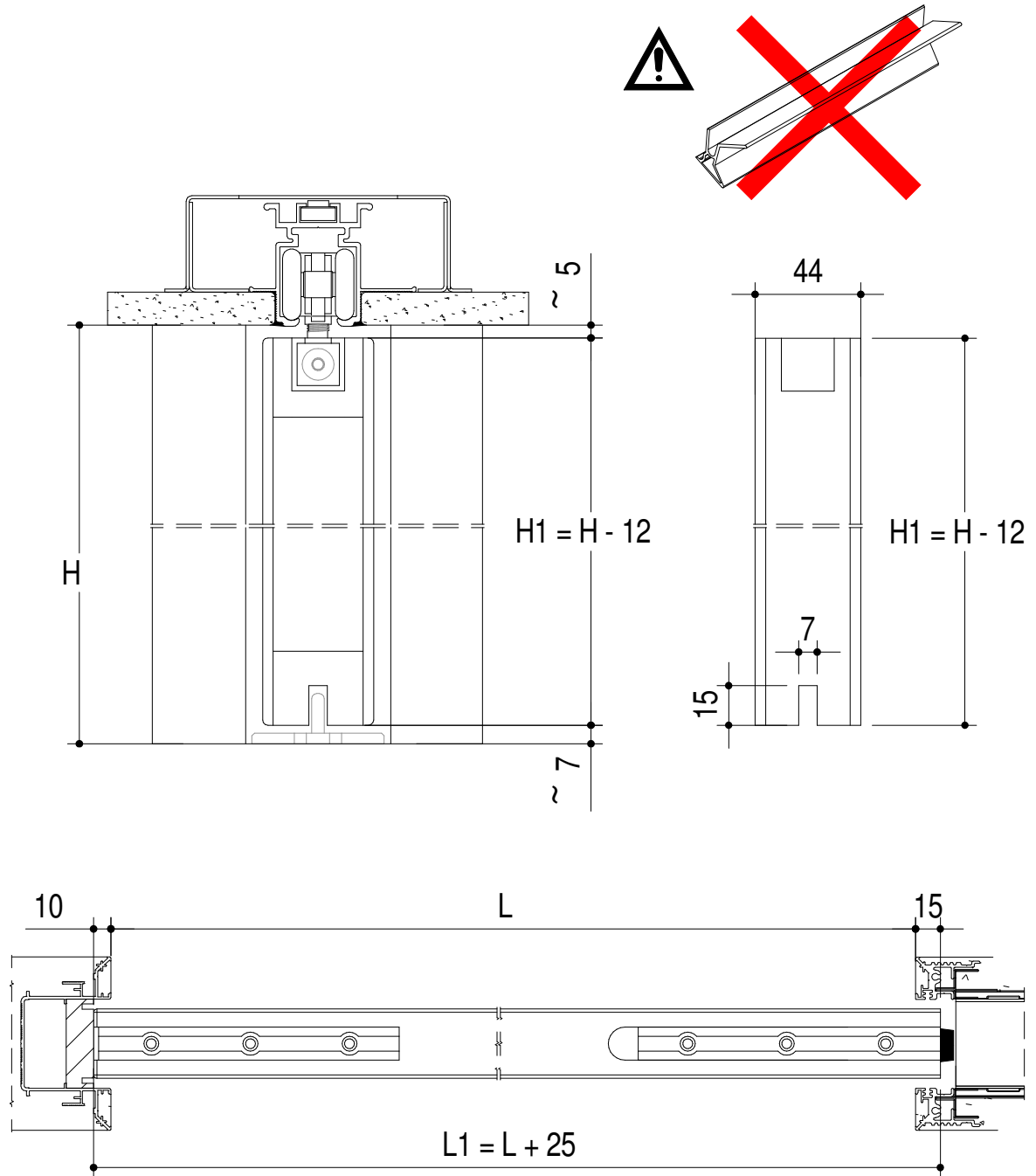
2.1

MOD. ABSOLUTE EVO / ABSOLUTE EVOKIT



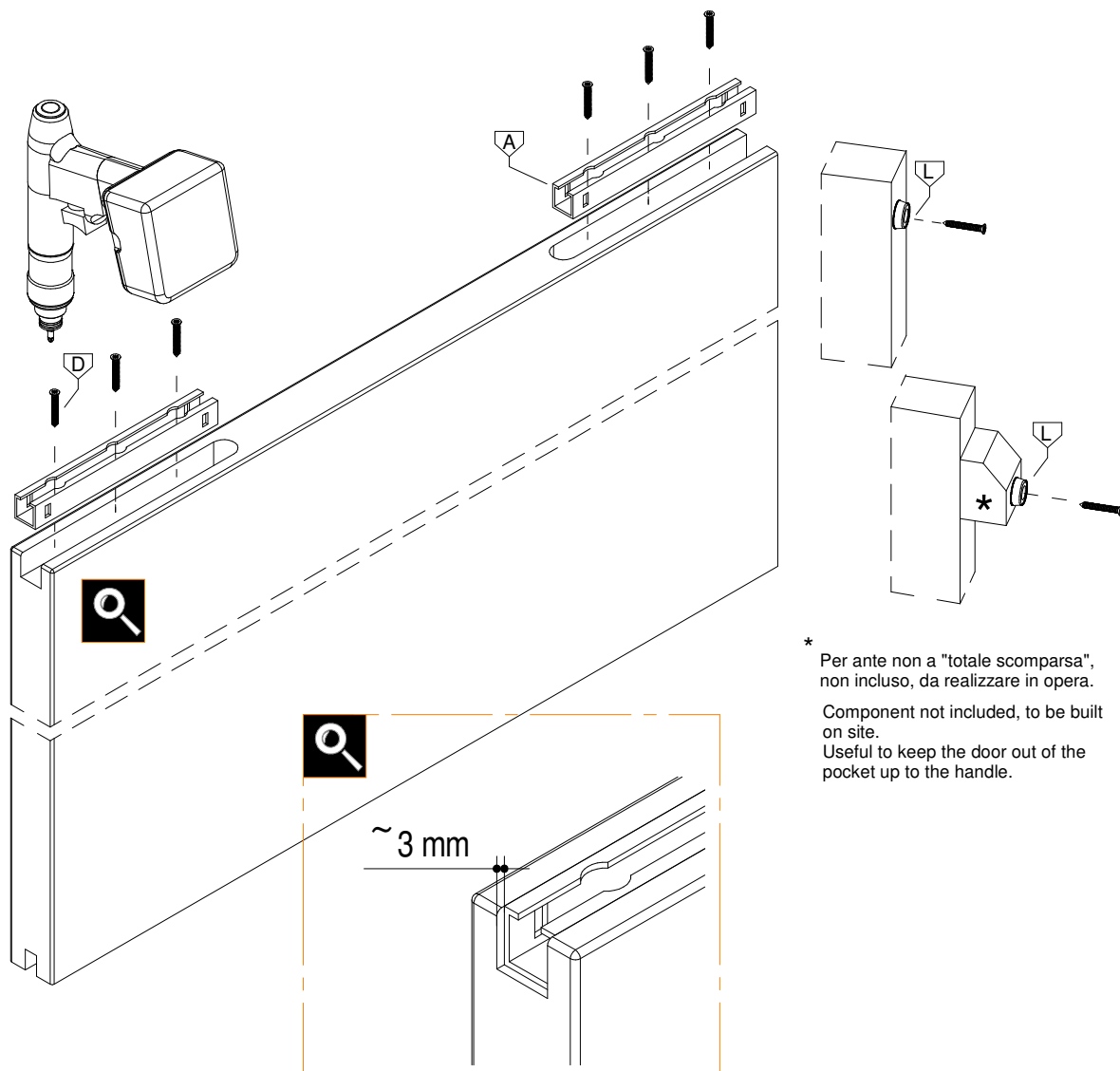
2.2

MOD. ABSOLUTE EVO "TUTTALTEZZA" (TH)

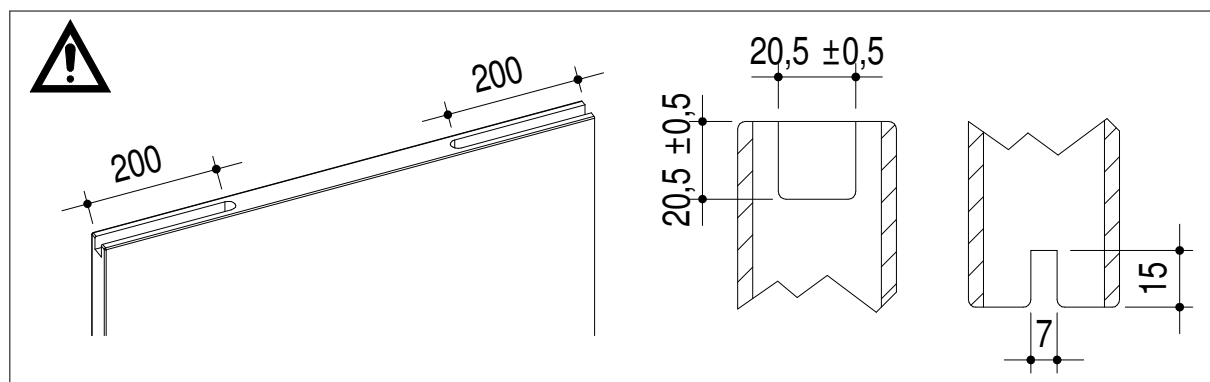


Subject to misprints, errors and technical modifications.
All dimensions are in mm

2.3

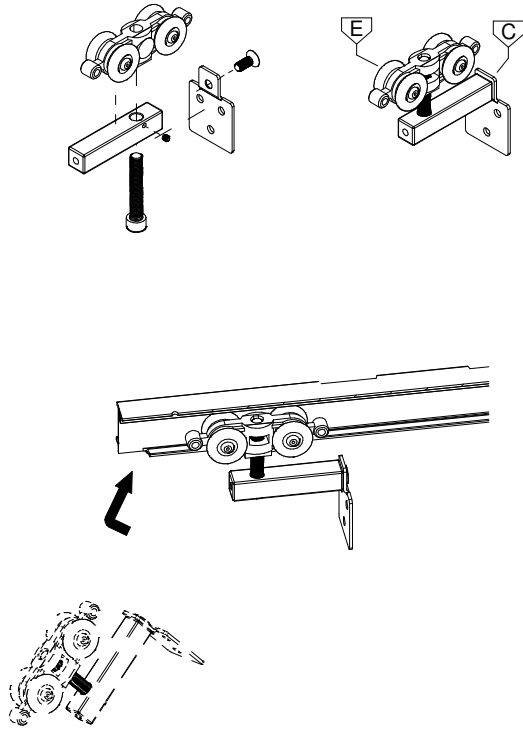


* Per ante non a "totale scomparsa", non incluso, da realizzare in opera.
Component not included, to be built on site.
Useful to keep the door out of the pocket up to the handle.

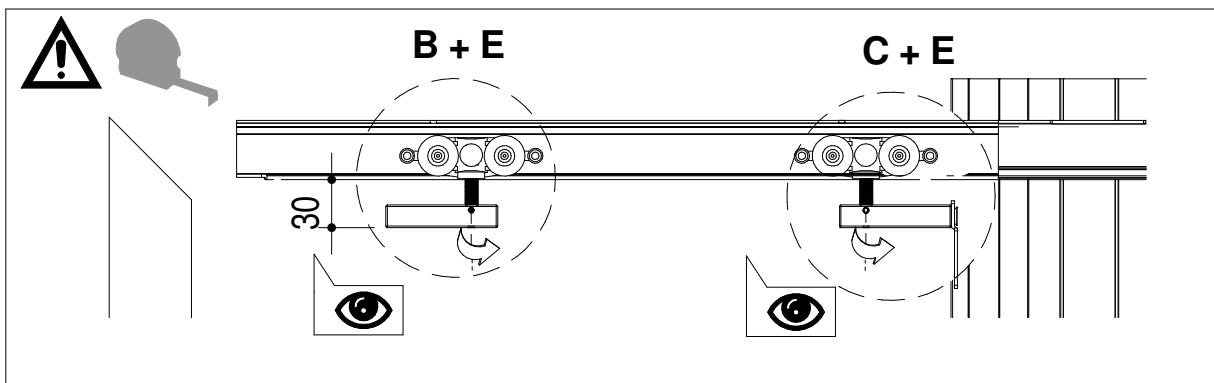
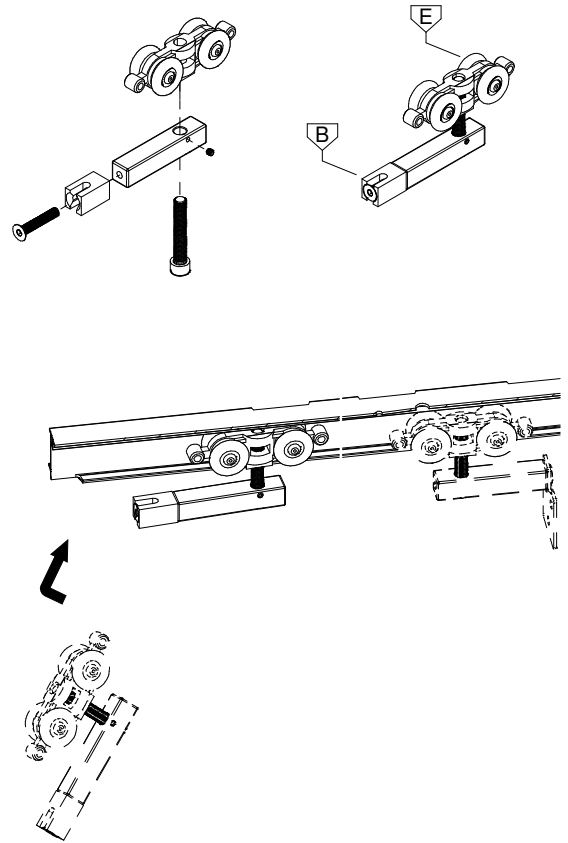


3.1

C + E

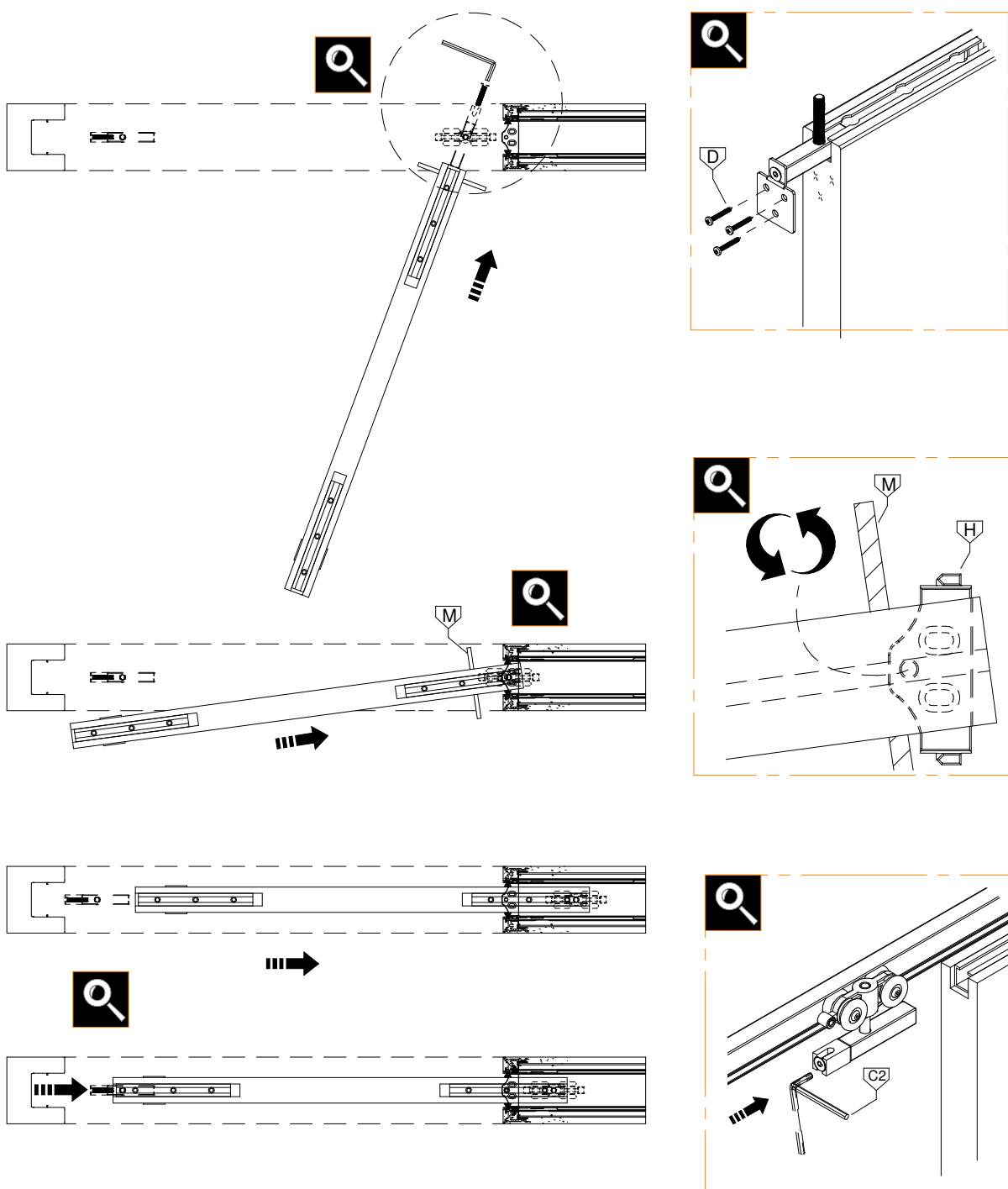


B + E

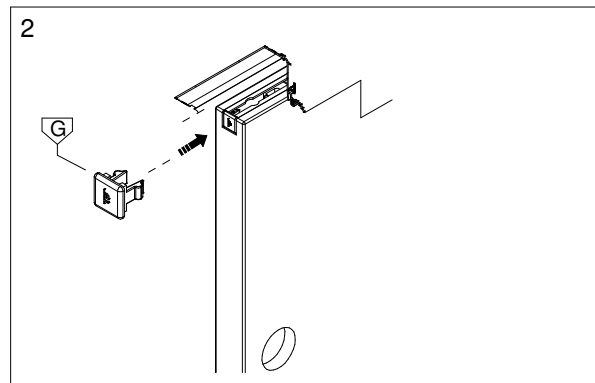
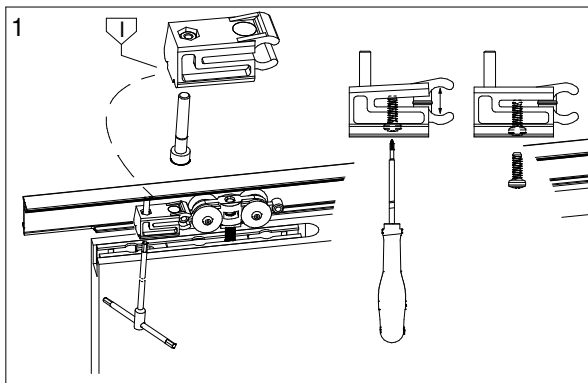
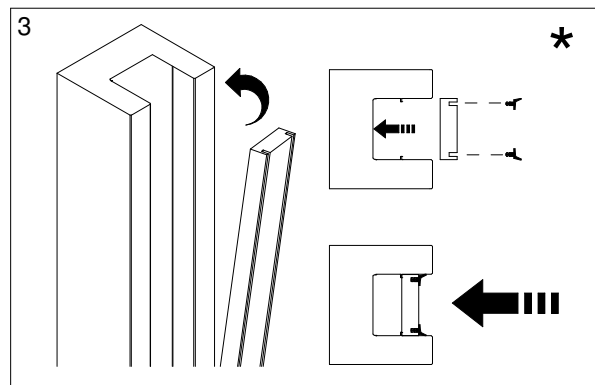
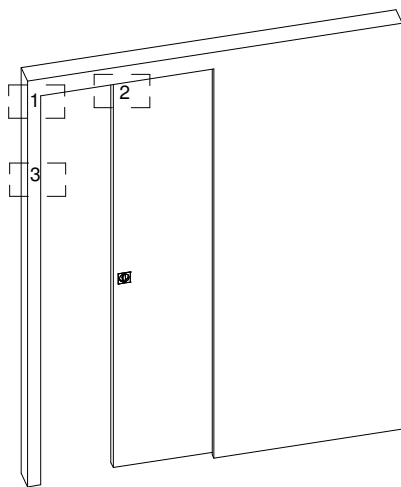
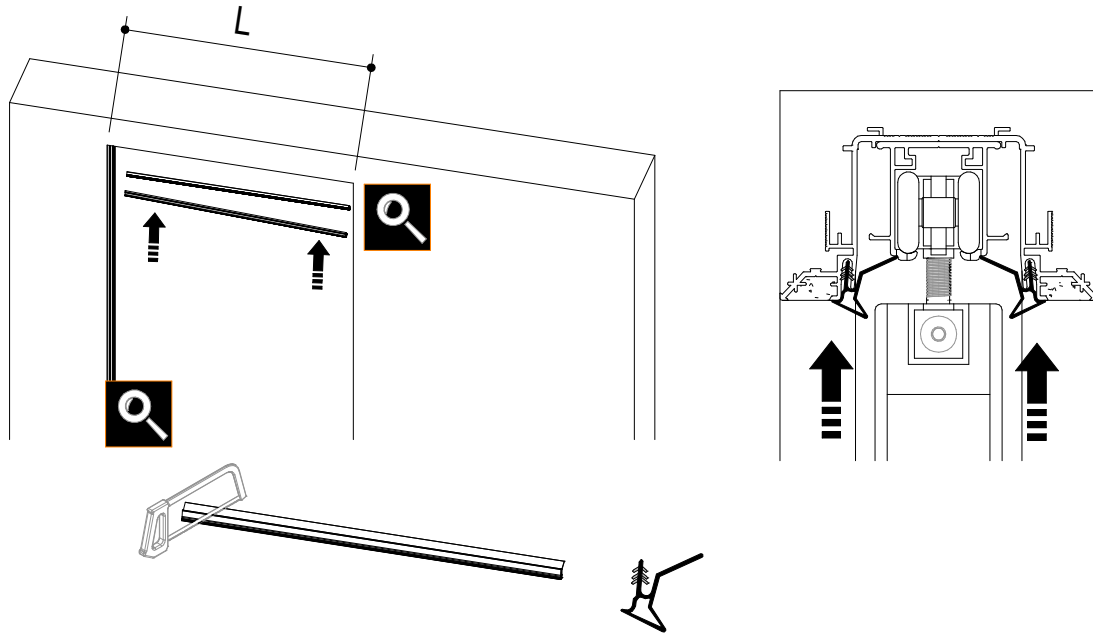


Subject to misprints, errors and technical modifications.
All dimensions are in mm

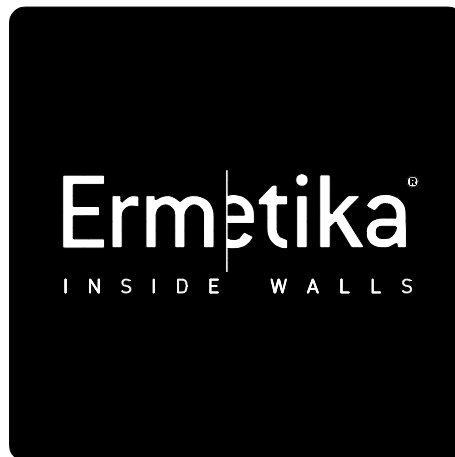
3.2



3.3



Subject to misprints, errors and technical modifications.
All dimensions are in mm



T. +39 (0)883535781



info@ermetika.it



www.ermetika.it



<https://www.youtube.com/c/ermetikasrl>