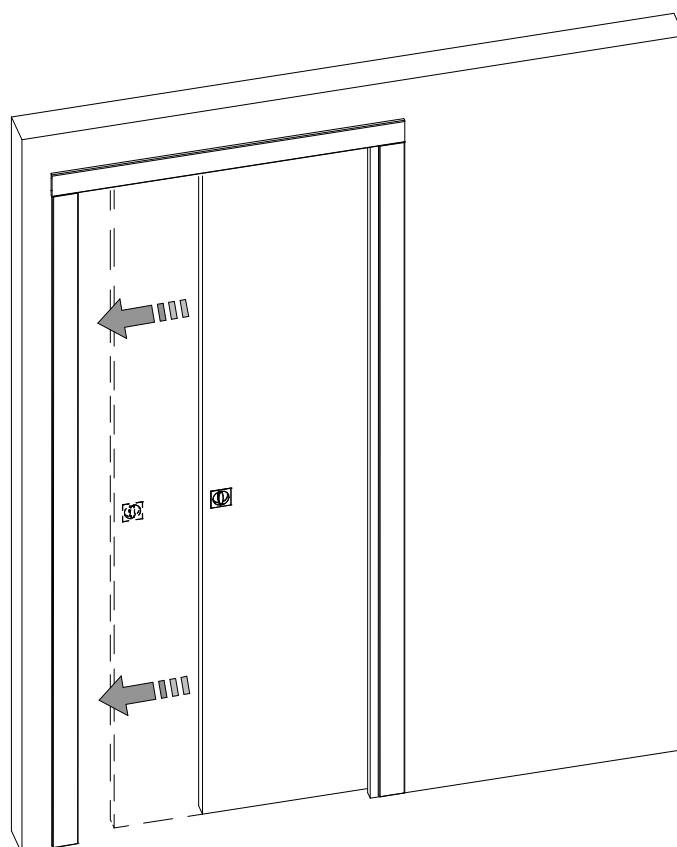


**Ermetika**<sup>®</sup>  
I N S I D E W A L L S



**ISTRUZIONE DI MONTAGGIO  
SETUP INSTRUCTION  
INSTRUCTION MONTAGE  
INSTRUCCIONES DE MONTAJE**

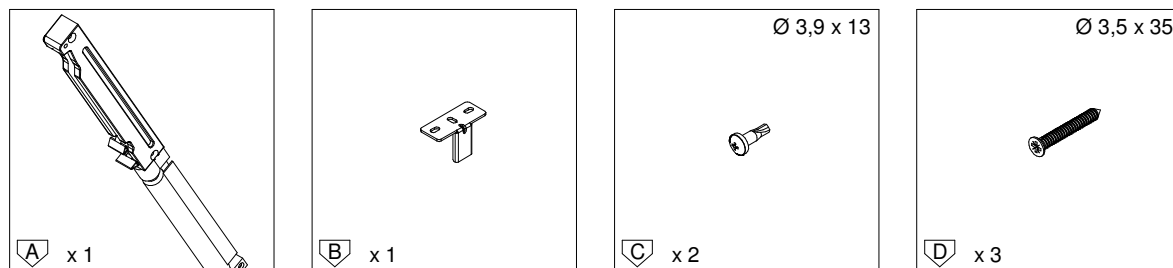
**MOD. EASYSTOP 40 - 80 KG**

**A.776.13**

# CONTENUTO KIT | CONTENTS

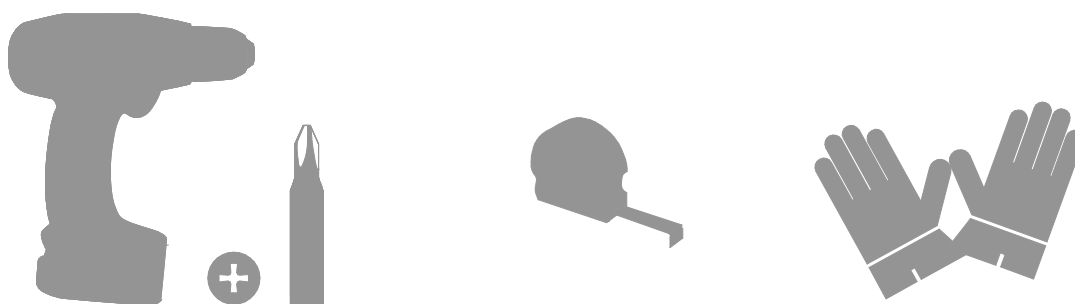
Dotazione - Standard equipment - Equipement standard - Equipo standard

---



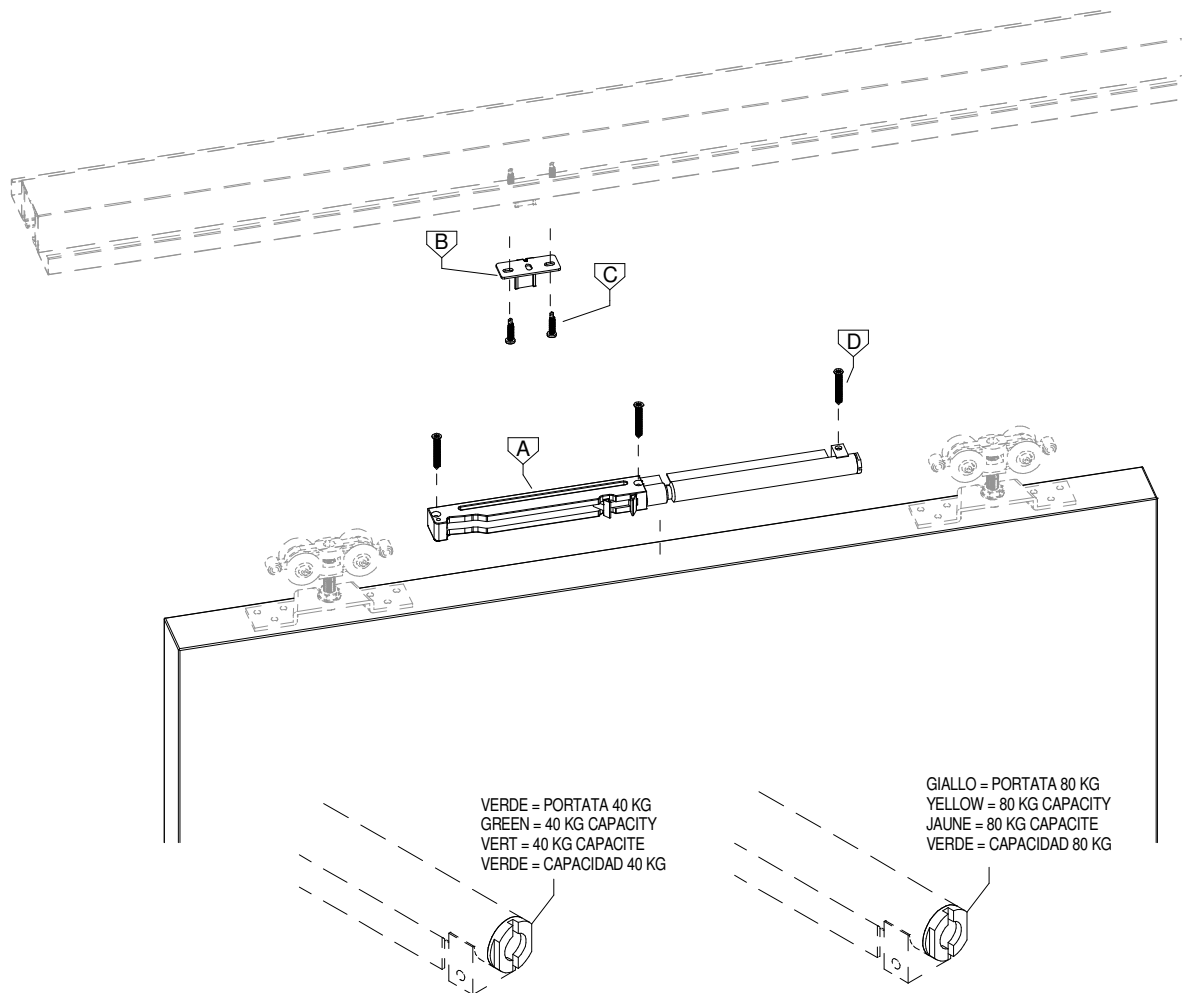
Attrezzatura - Tools - Outils - Herrajes

---



# CONTENUTO KIT | CONTENTS

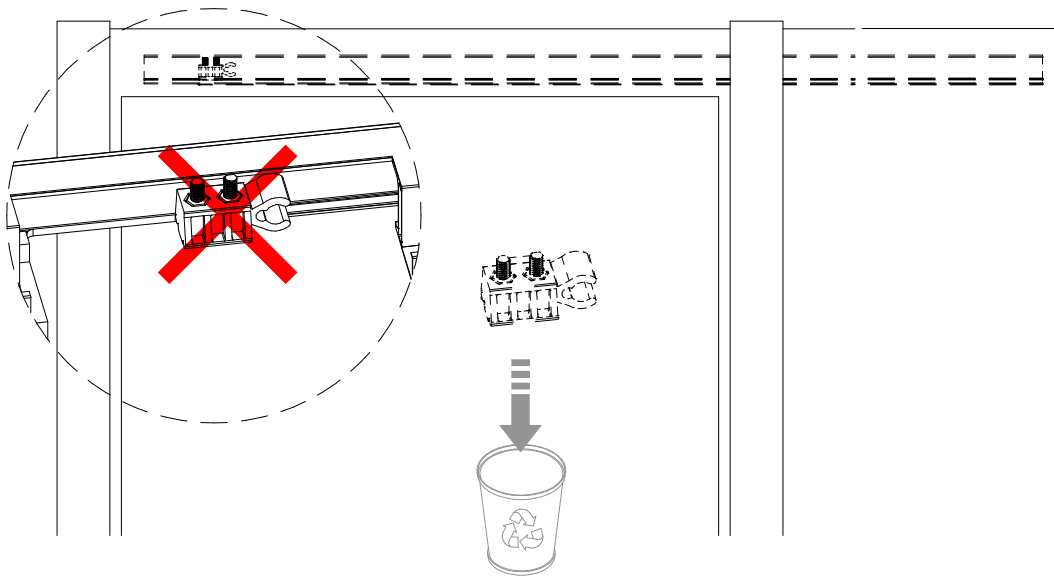
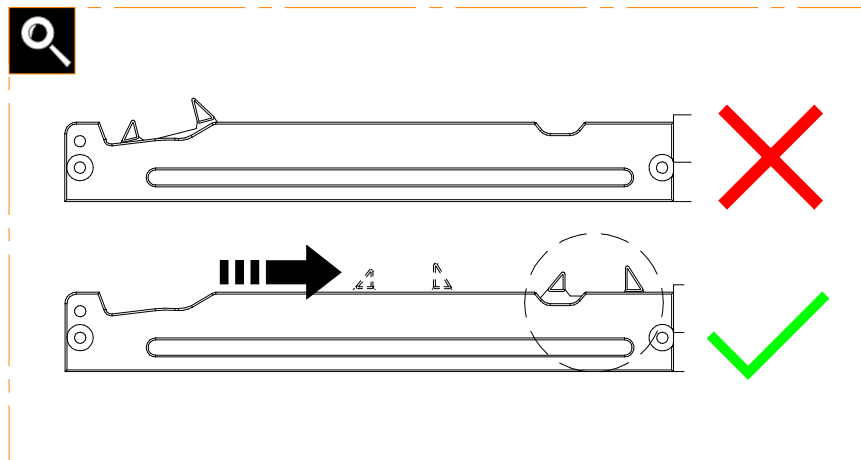
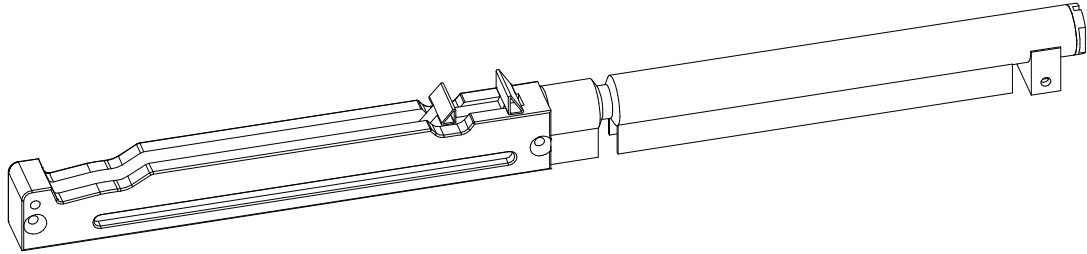
Panoramica - Overall view - Vue d'ensemble - General



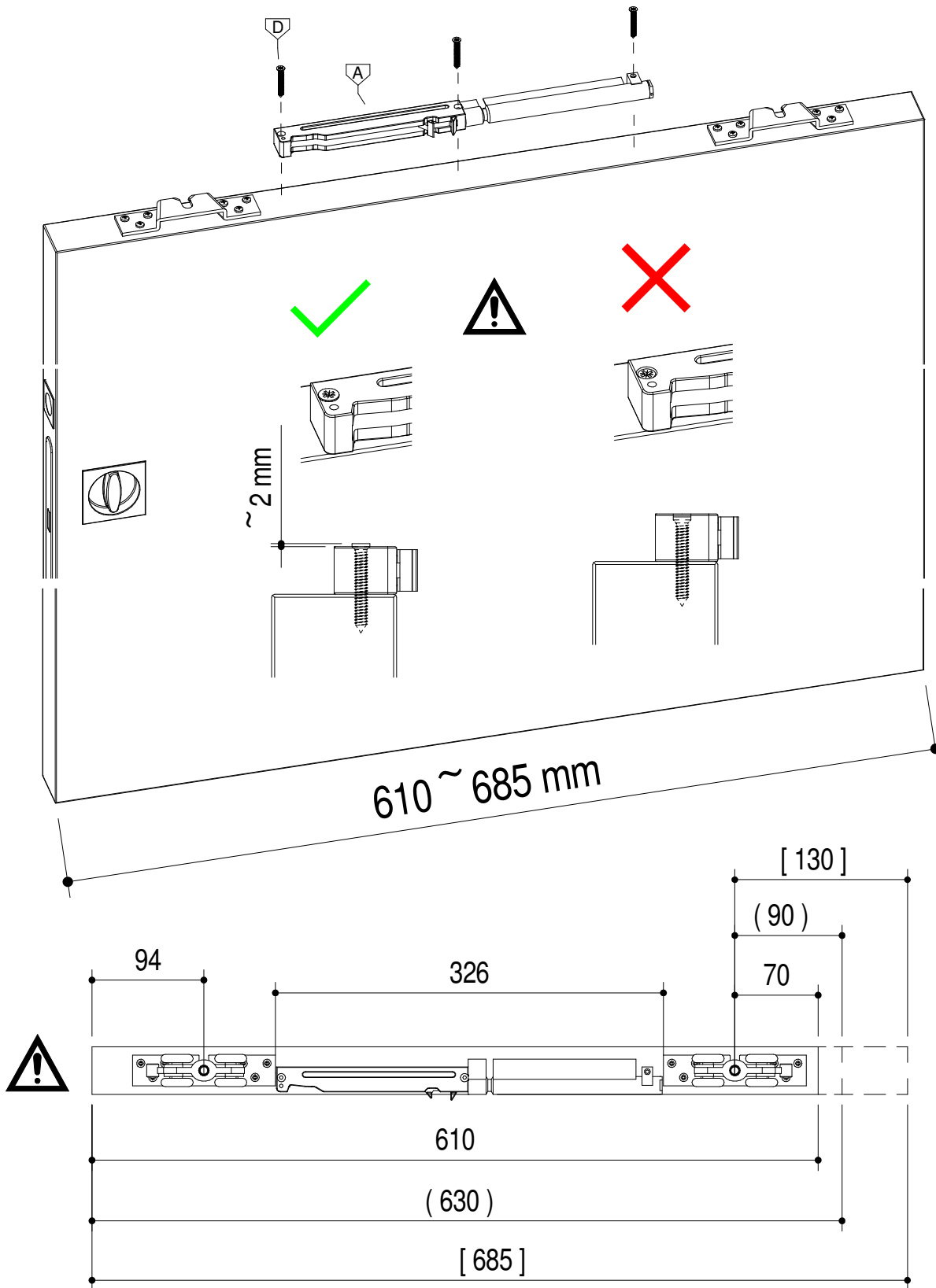
## INDICE - INDEX

Installazione dispositivo - setup device	3-5
Montaggio anta singola - setup single door	6-8
Montaggio anta doppia - setup double door	9

1.1

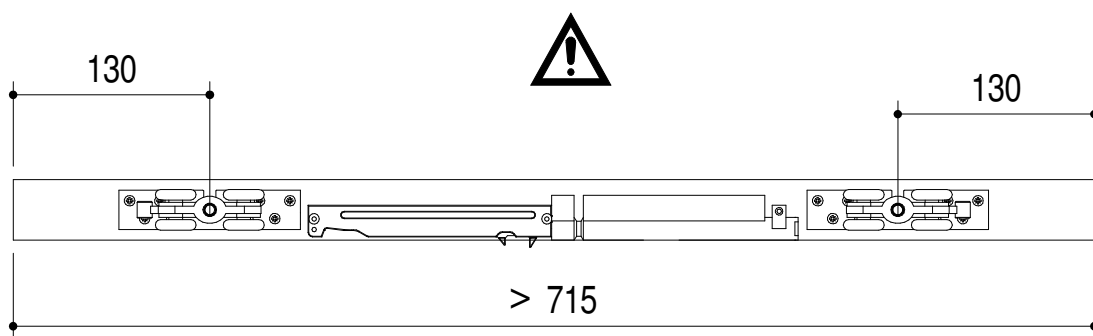
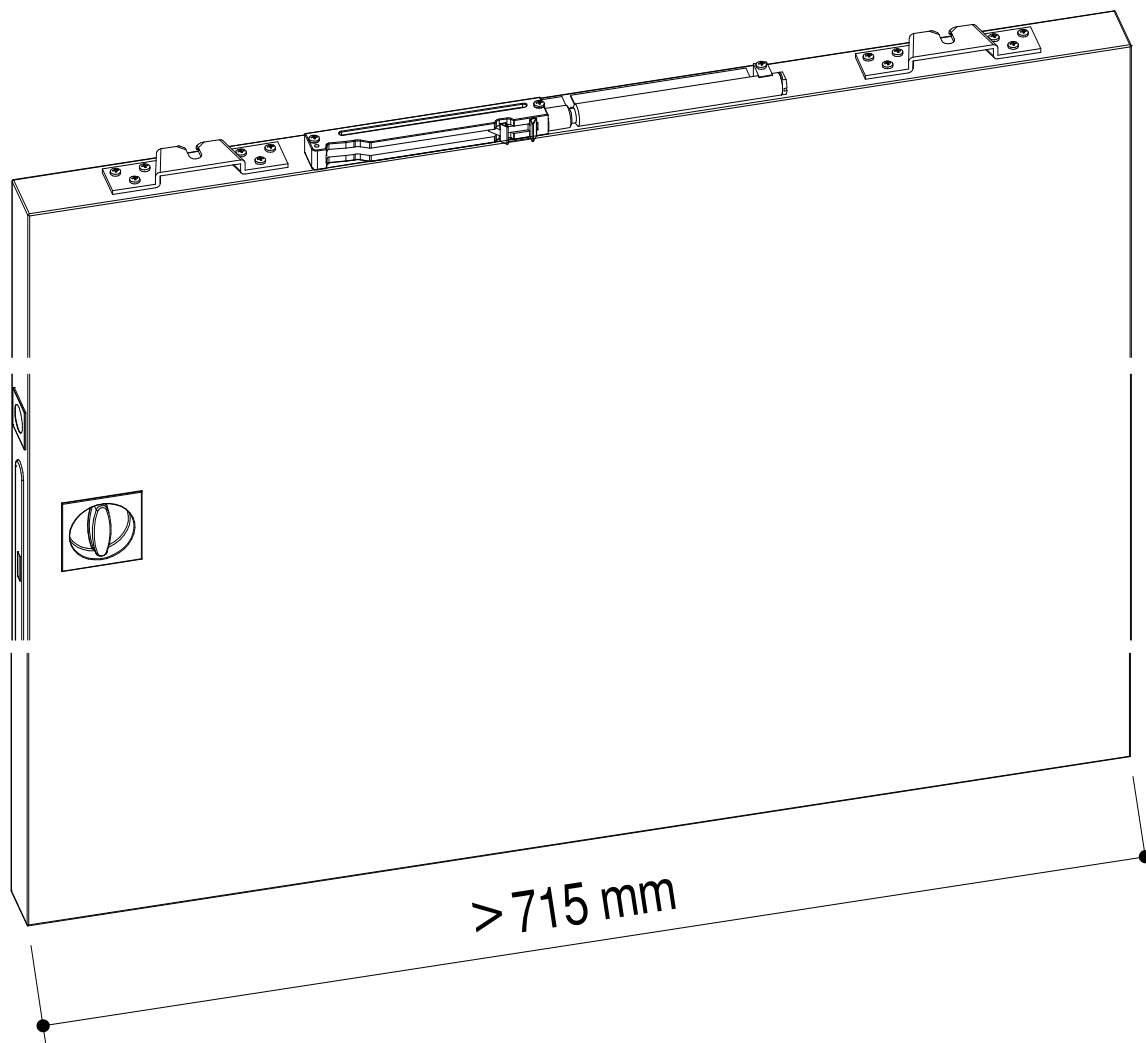


1.2

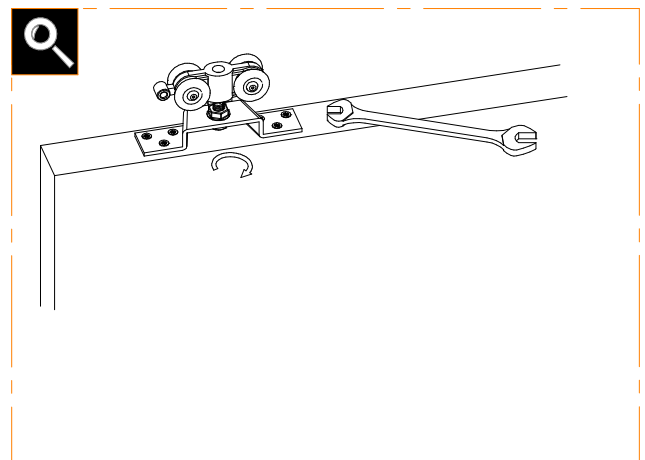
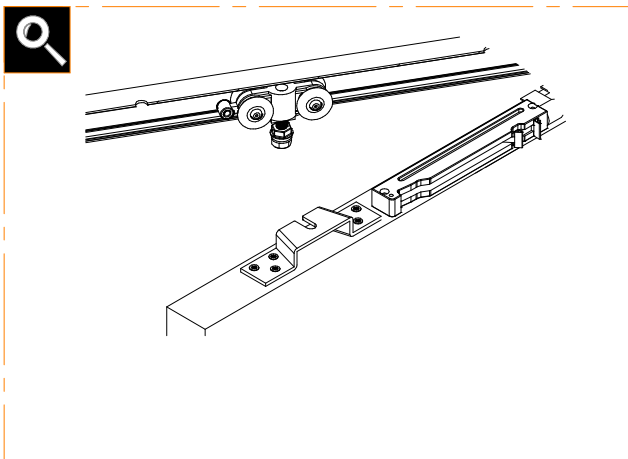
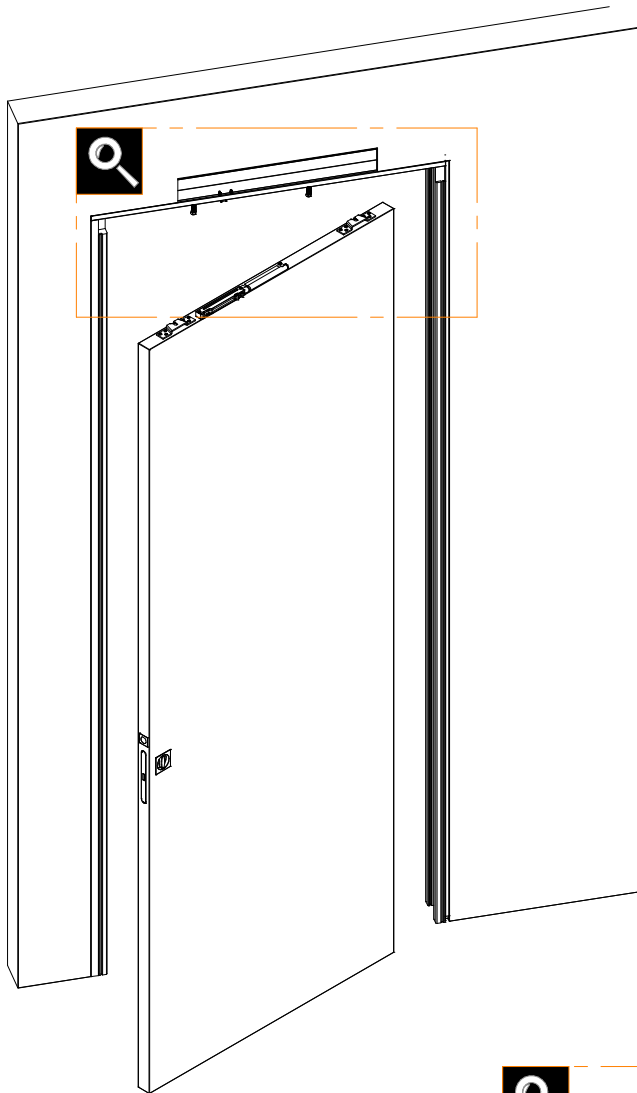


Subject to misprints, errors and technical modifications.  
All dimensions are in mm

1.3

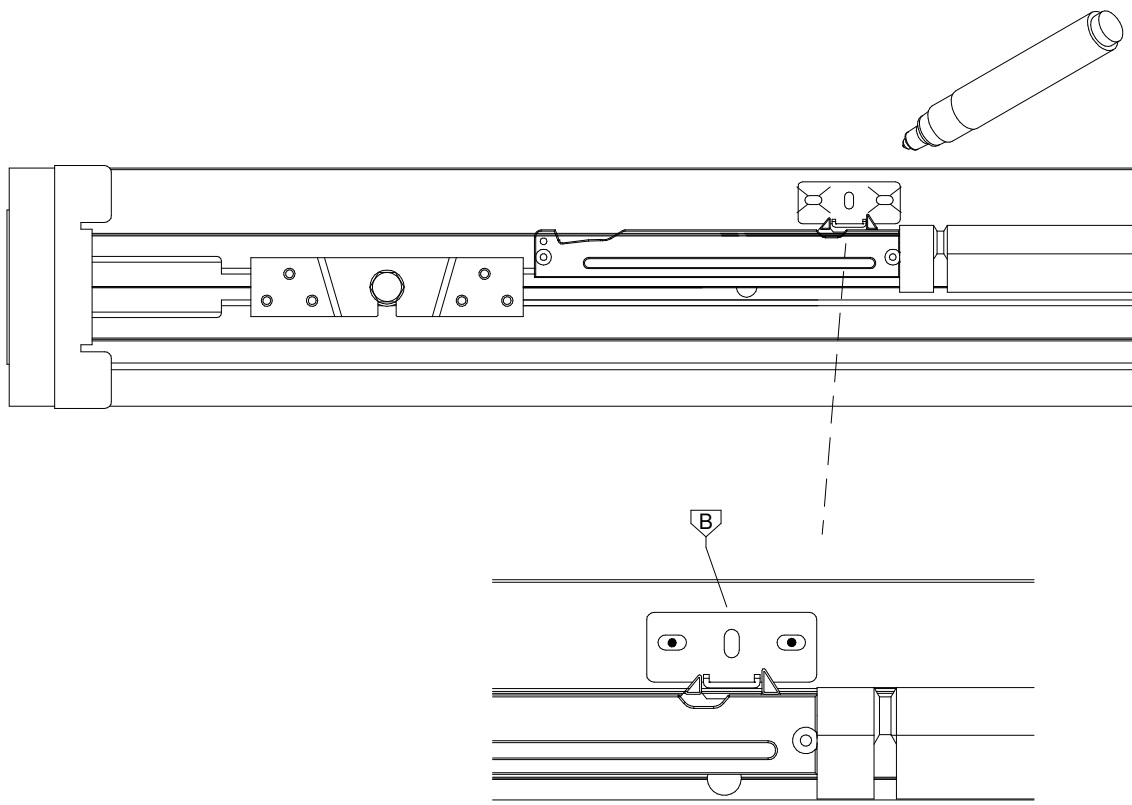
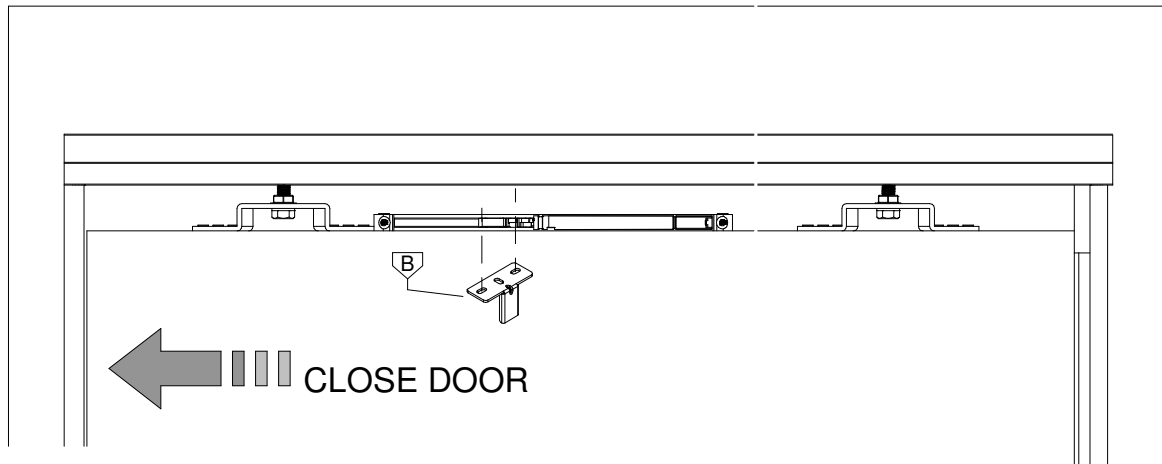


1.4



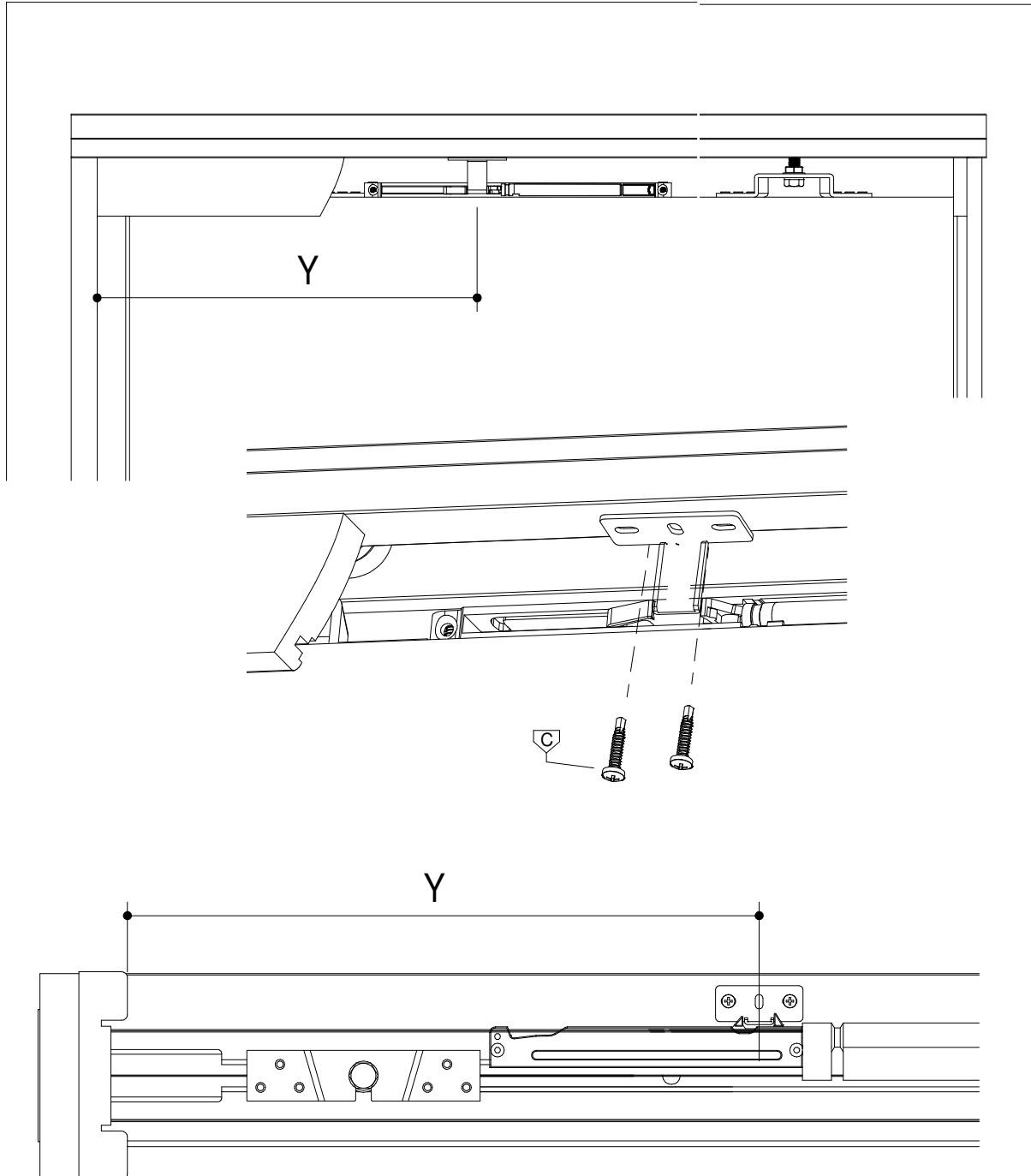
Subject to misprints, errors and technical modifications.  
All dimensions are in mm

1.5



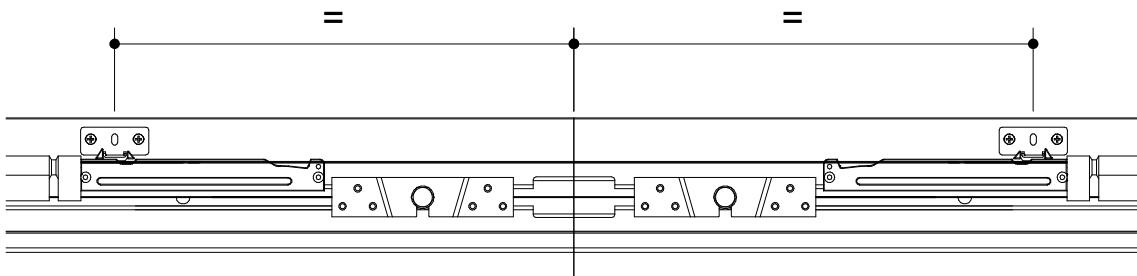
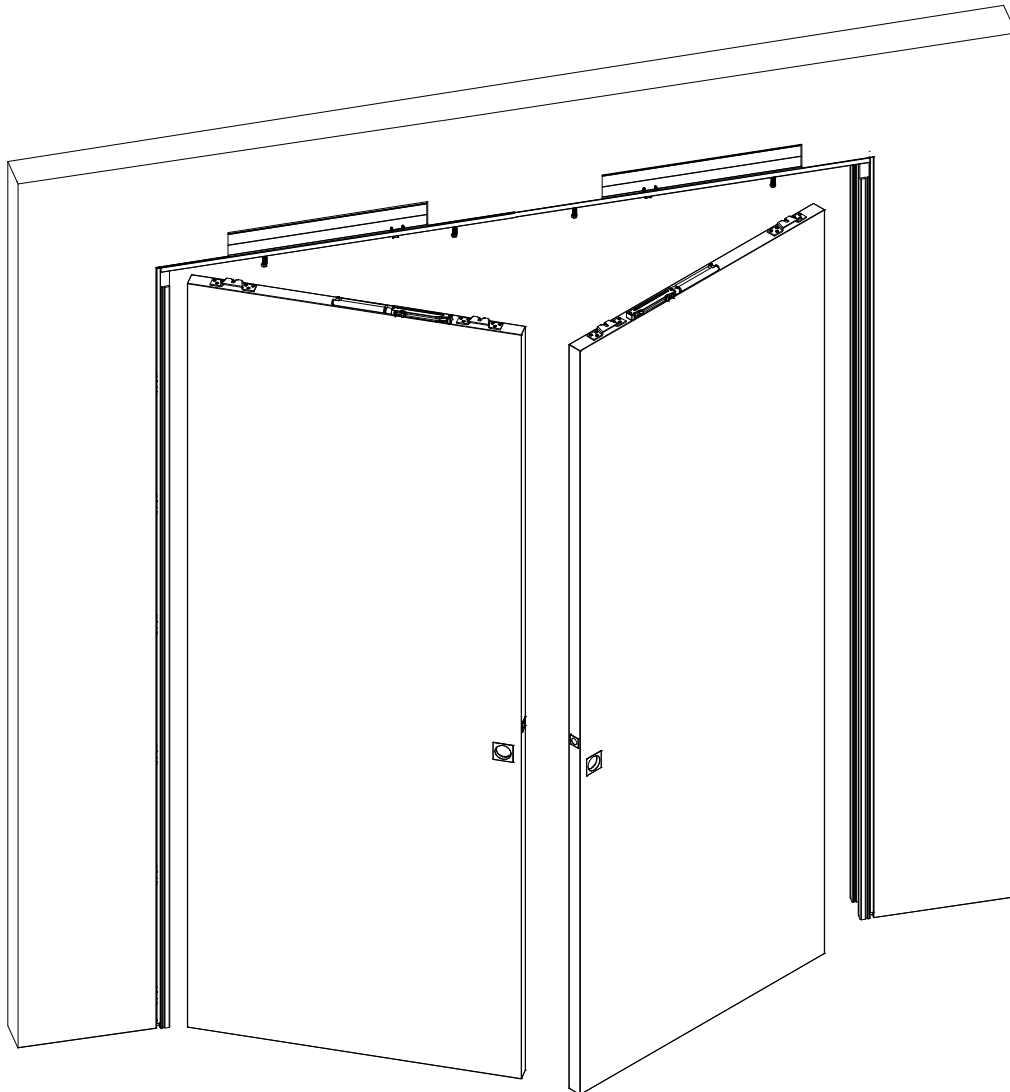


1.6

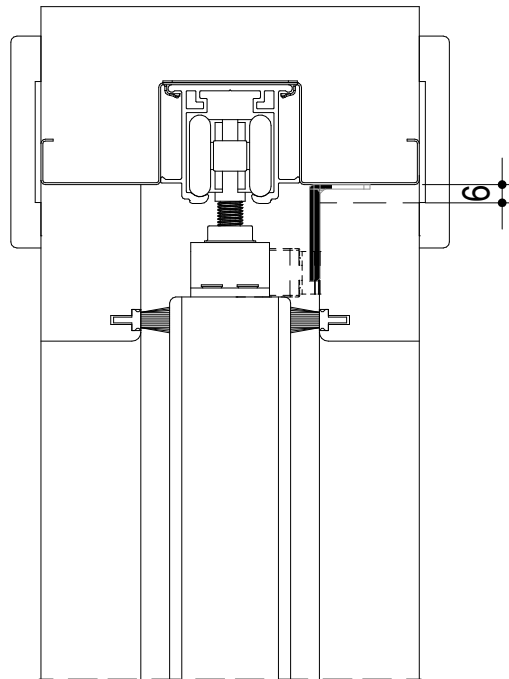
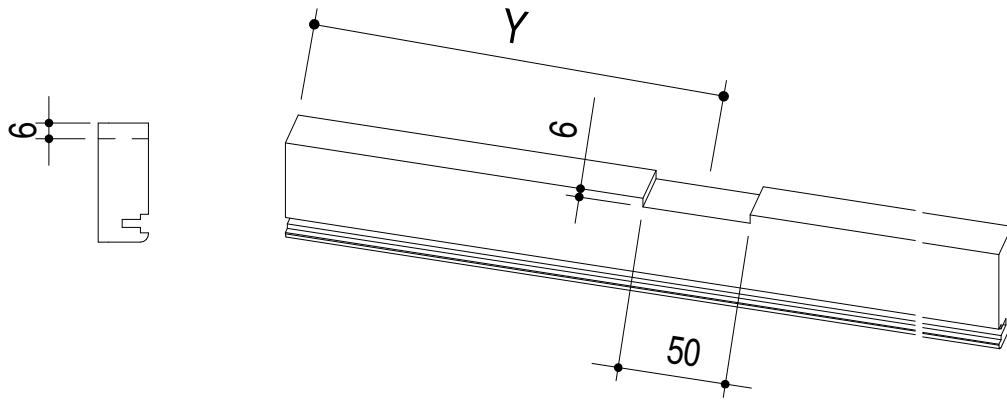


Subject to misprints, errors and technical modifications.  
All dimensions are in mm

1.7



1.8





T. +39 (0)883535781



info@ermetika.it



www.ermetika.it



<https://www.youtube.com/c/ermetikasrl>