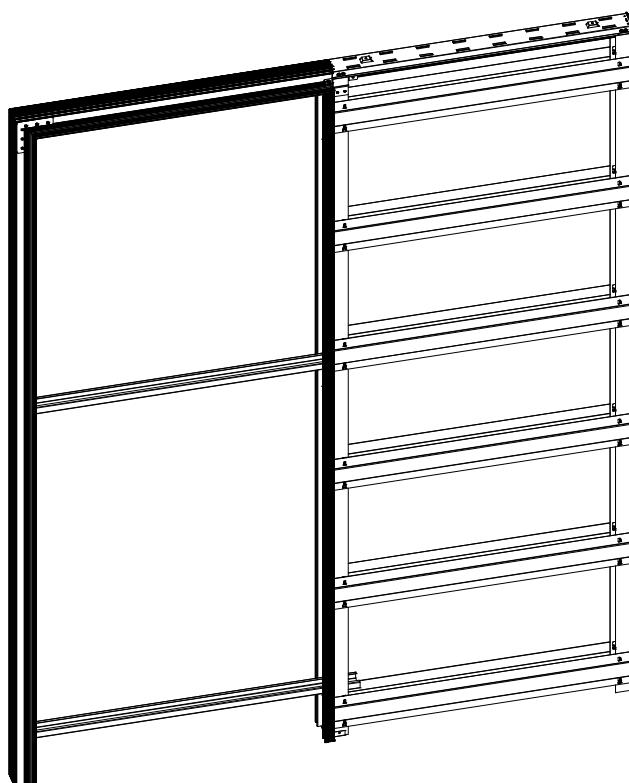


Ermetika[®]
DESIGN PASSAGES



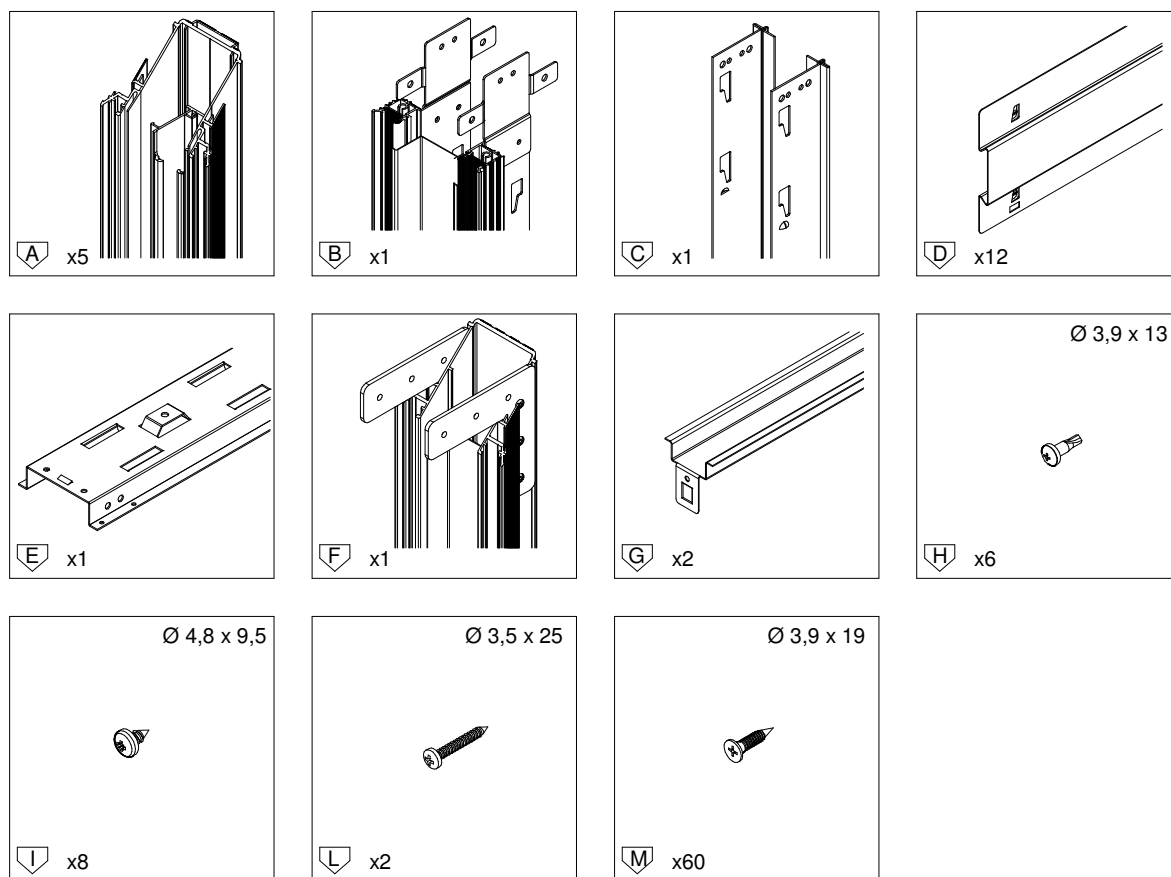
**ISTRUZIONE DI MONTAGGIO
SETUP INSTRUCTION
INSTRUCTION MONTAGE
INSTRUCCIONES DE MONTAJE**

MOD.: - ABSOLUTE EVOKIT

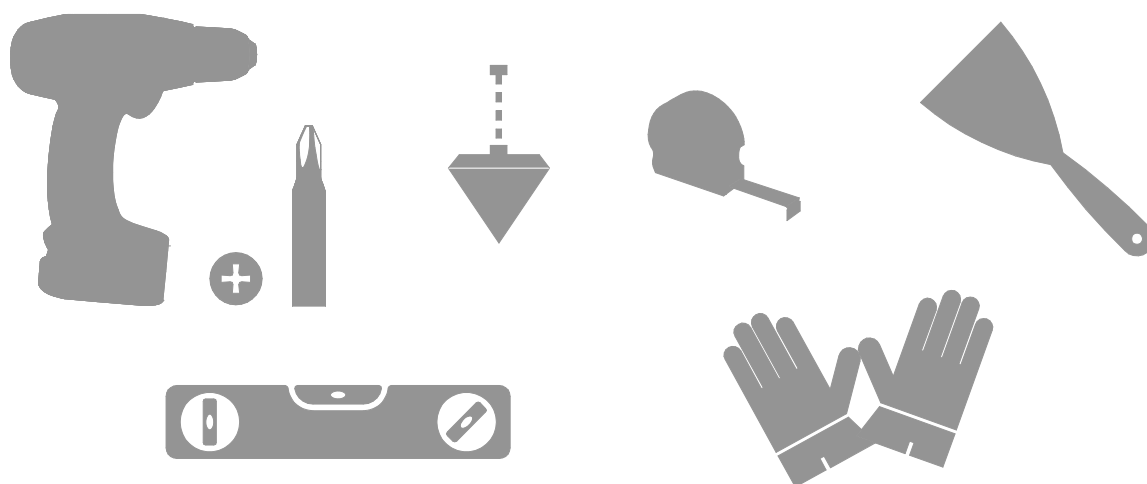
A.772.1

CONTENUTO KIT | CONTENTS

Dotazione - Standard equipment - Equipement standard - Equipo standard

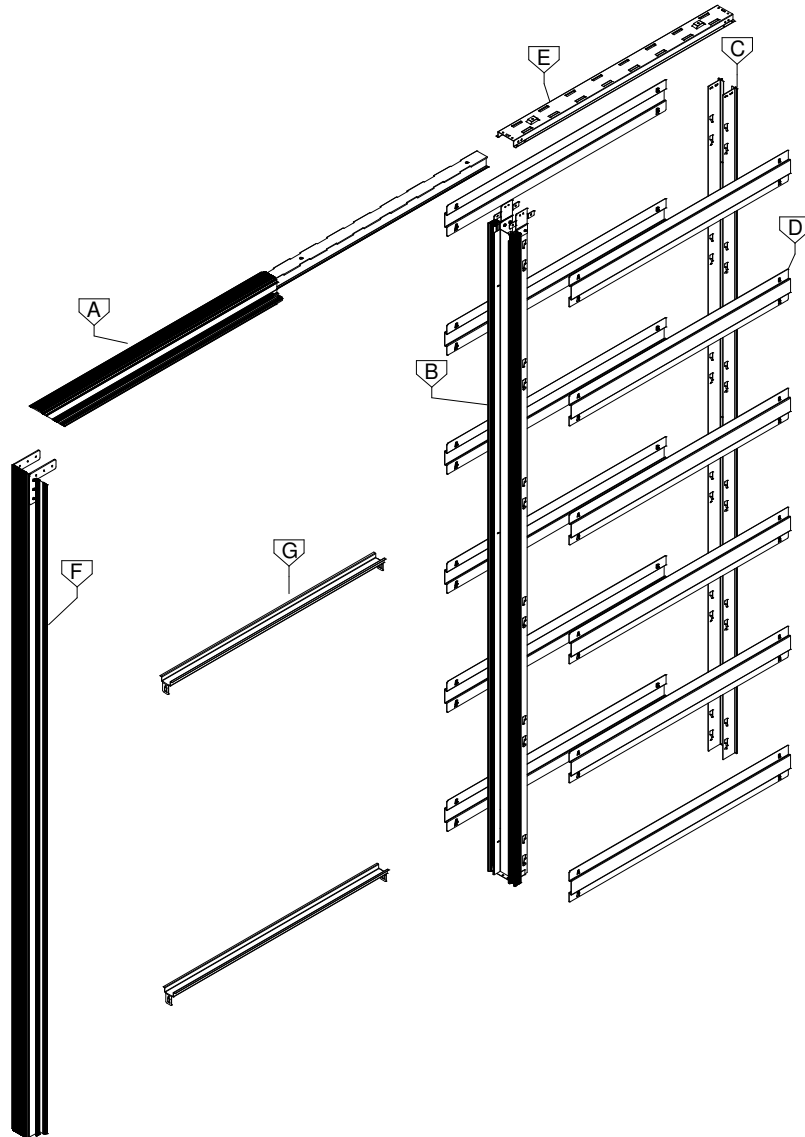


Attrezzatura - Tools - Outils - Herrajes



CONTENUTO KIT | CONTENTS

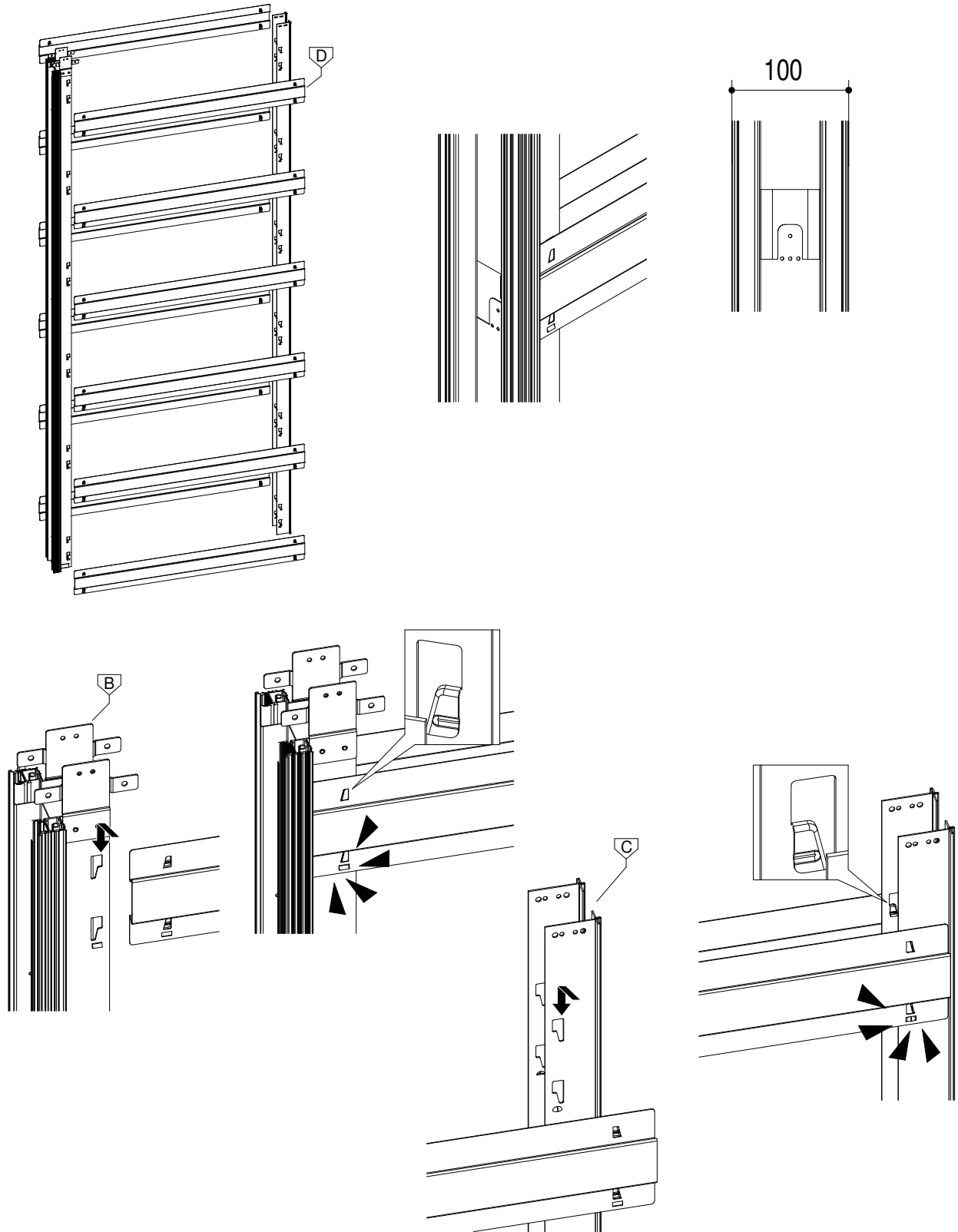
Panoramica - Overall view - Vue d'ensemble - General



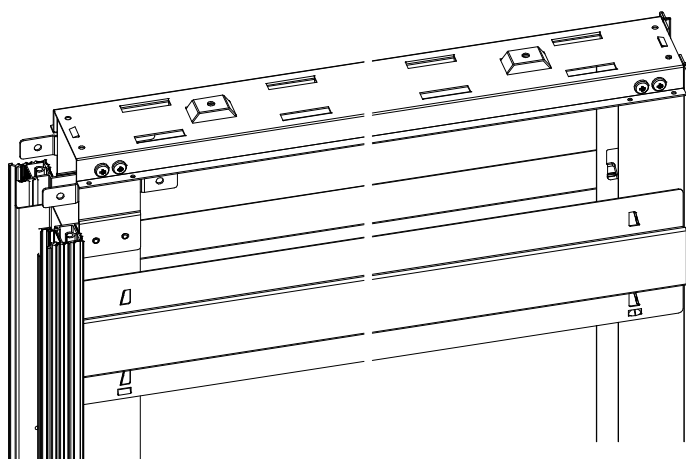
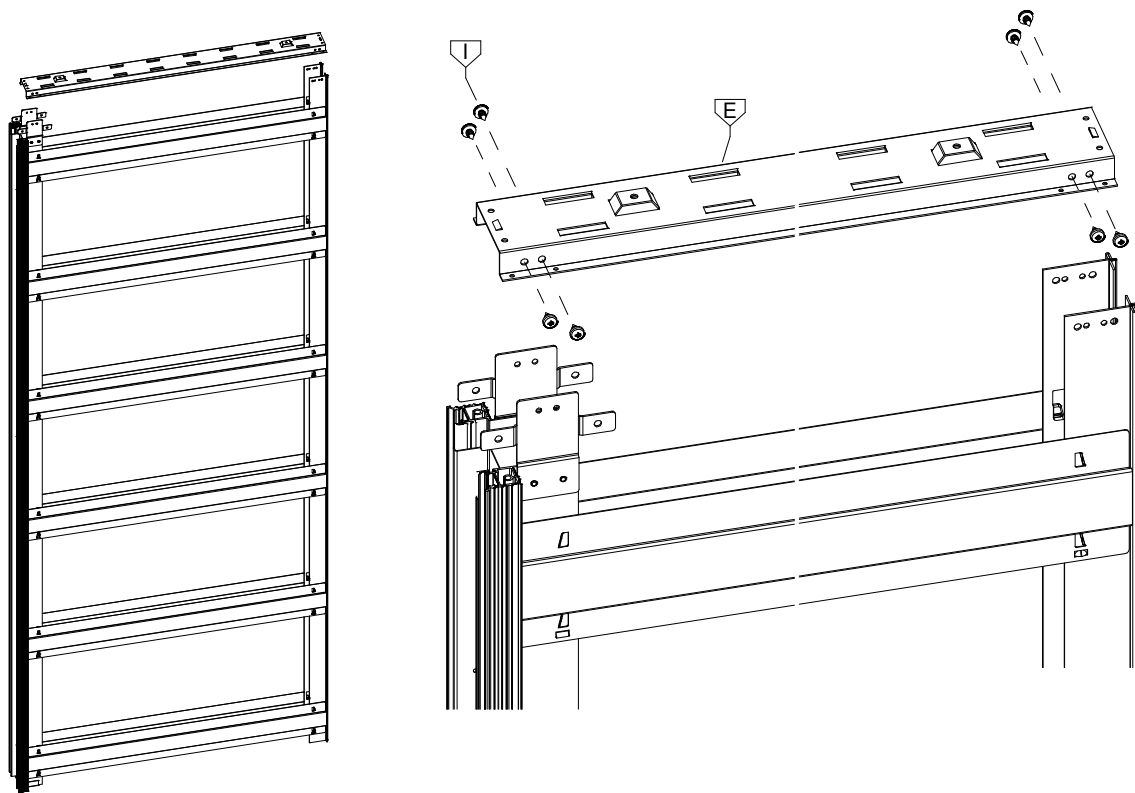
INDICE - INDEX

Montaggio spessore parete 100 - Setup for 100 finished wall	3-6
Montaggio spessore parete 125 - Setup for 125 finished wall	7-10
Montaggio cartongesso - Setup plasterboard	11-12
Stuccatura profili perimetrali - Perimeter profiles plastering	13

1.1

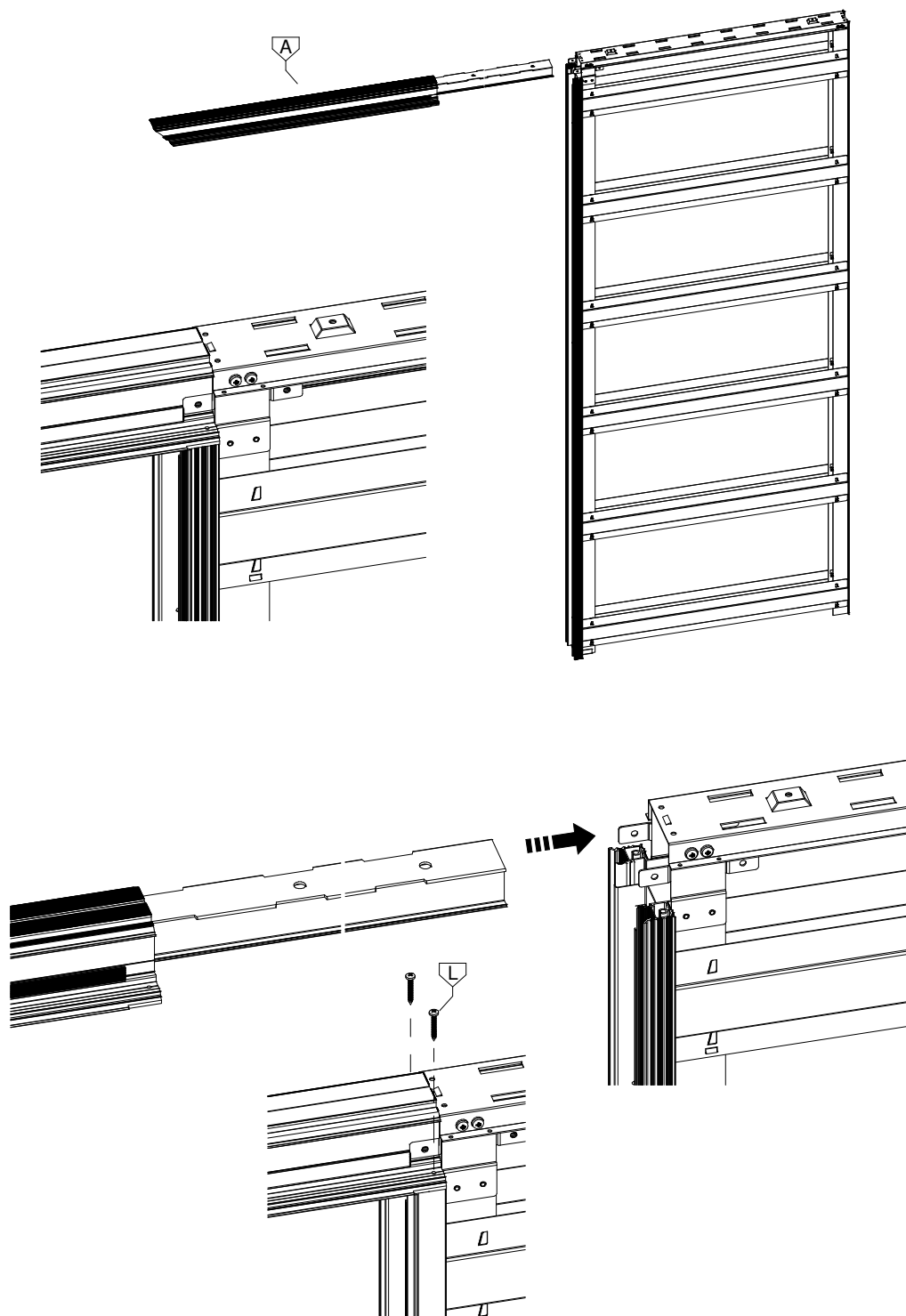


1.2

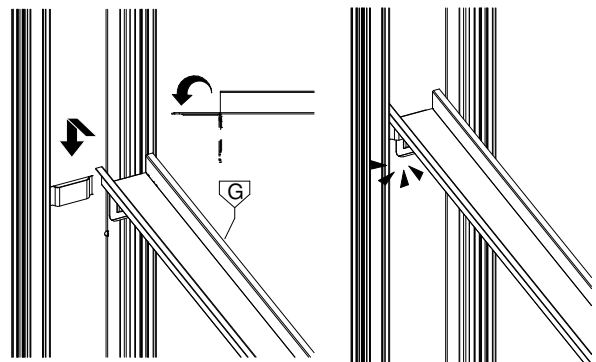
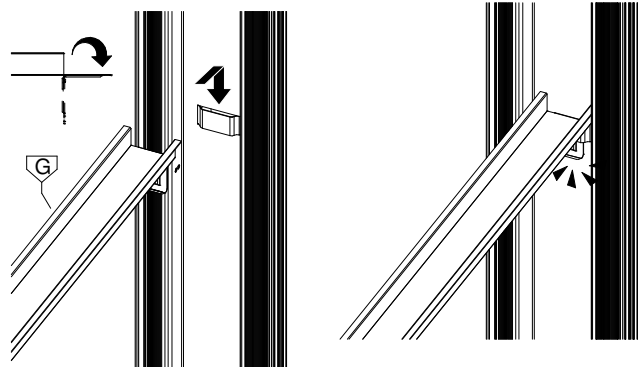
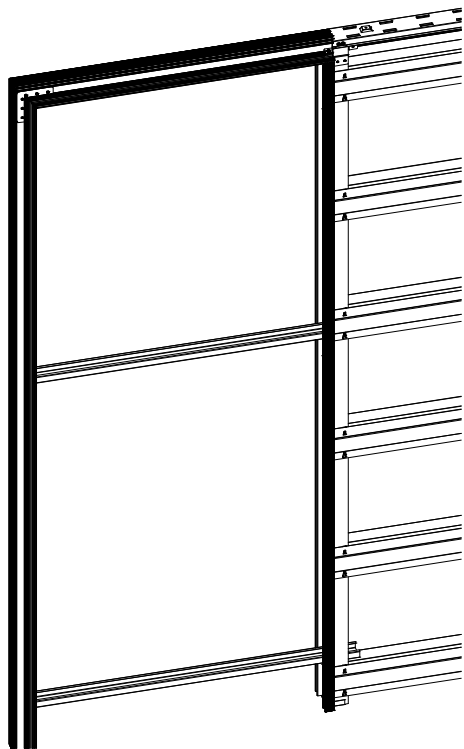
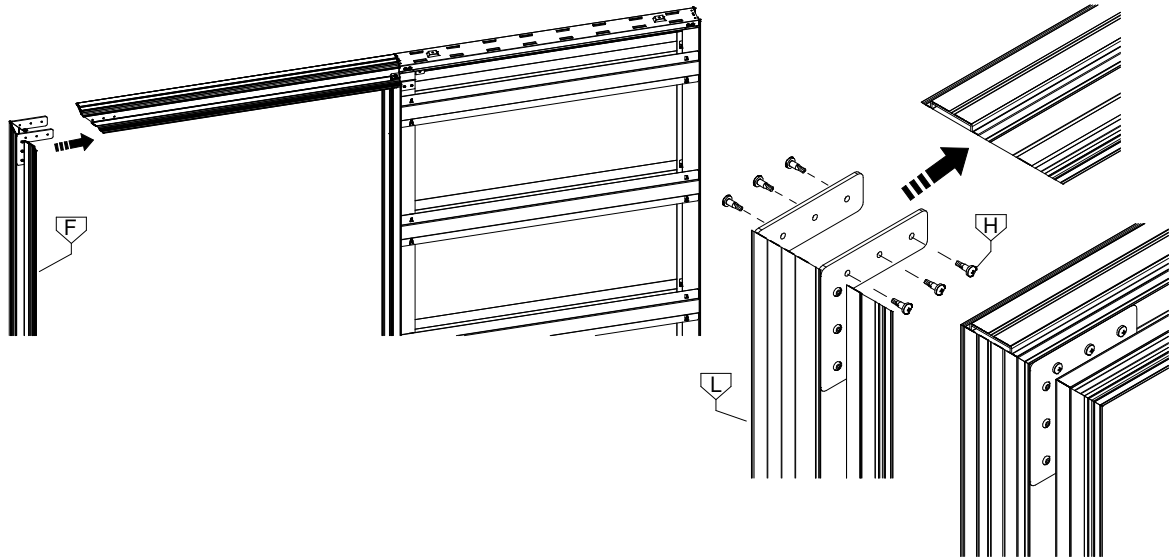


Subject to misprints, errors and technical modifications.
All dimensions are in mm

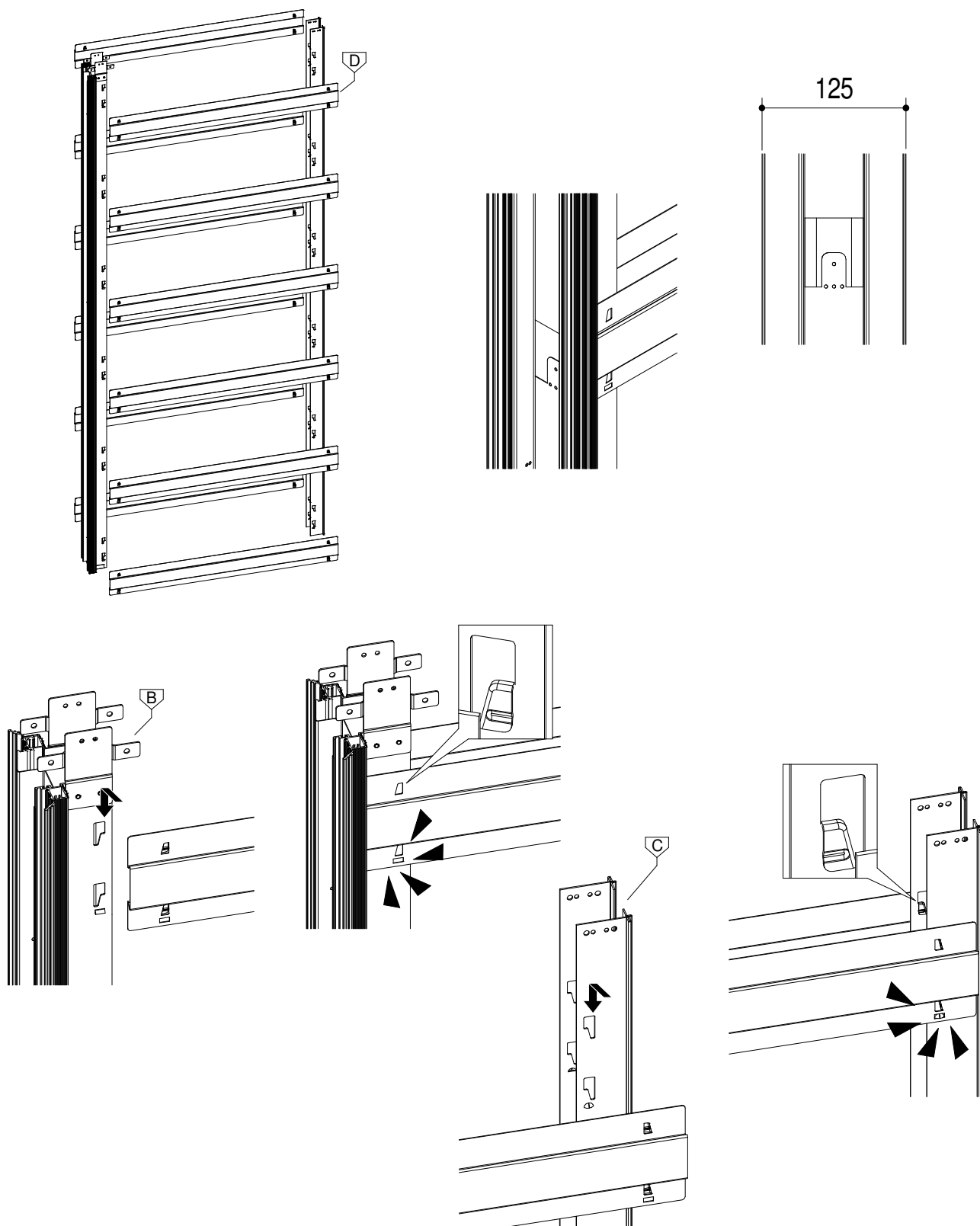
1.3



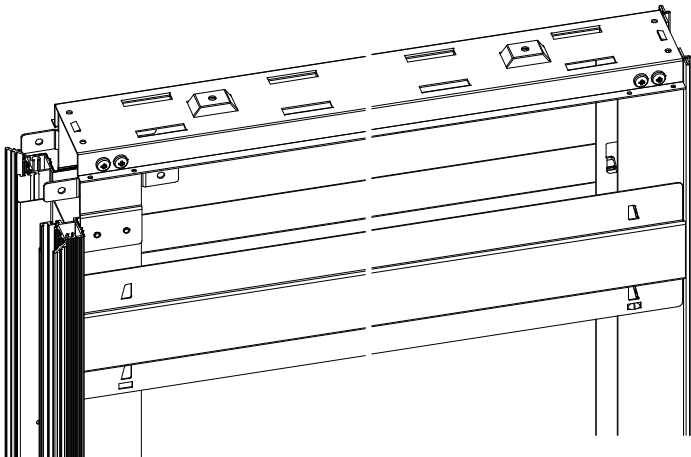
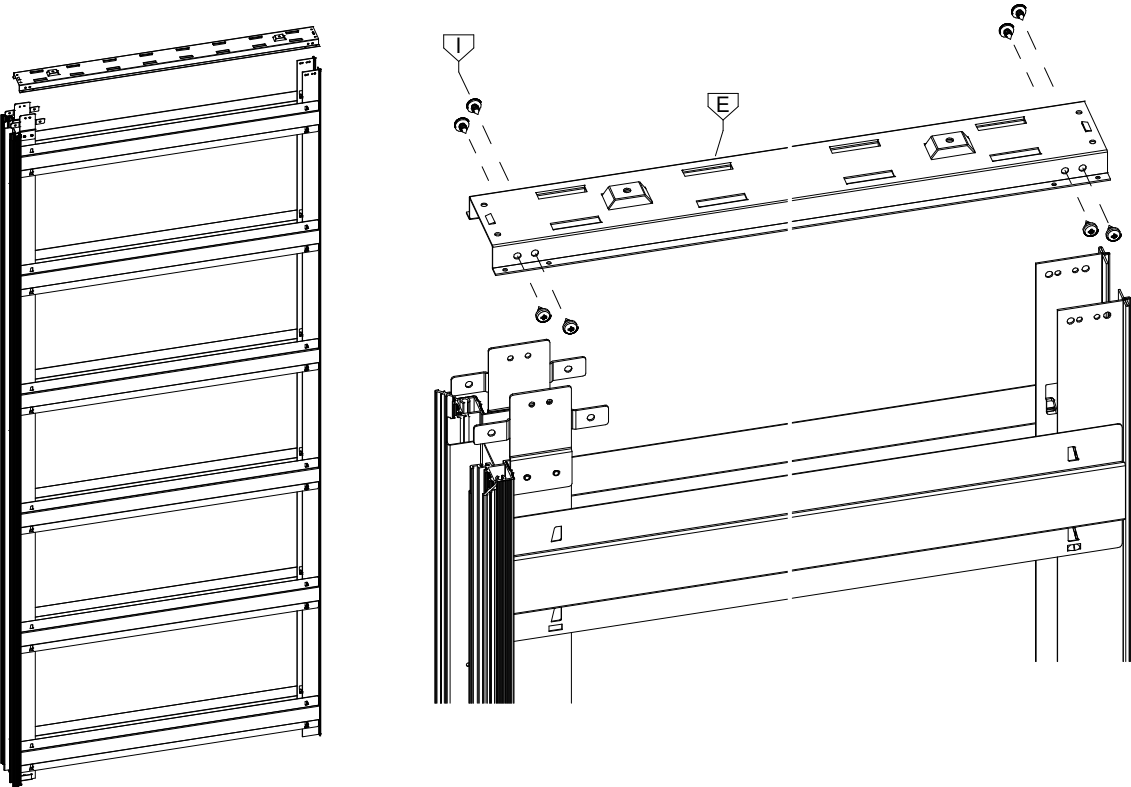
1.4



2.1

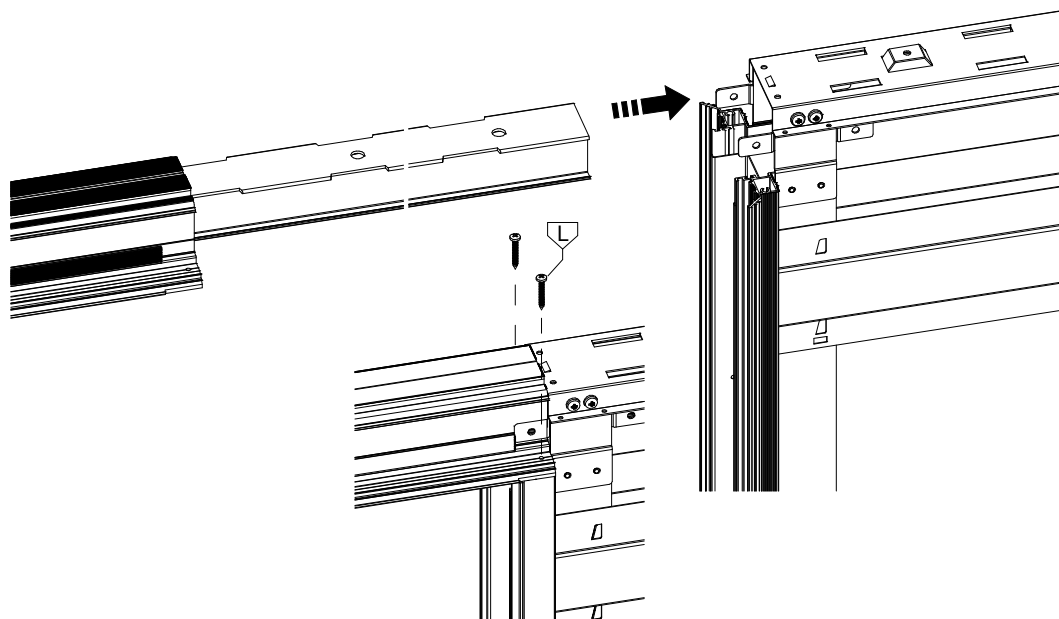
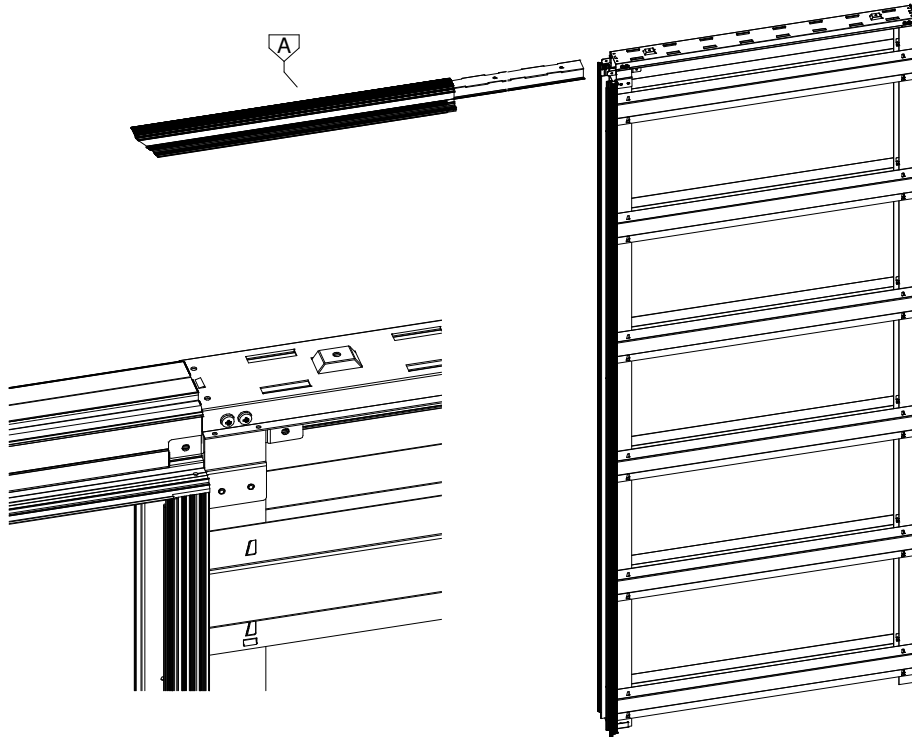


2.2

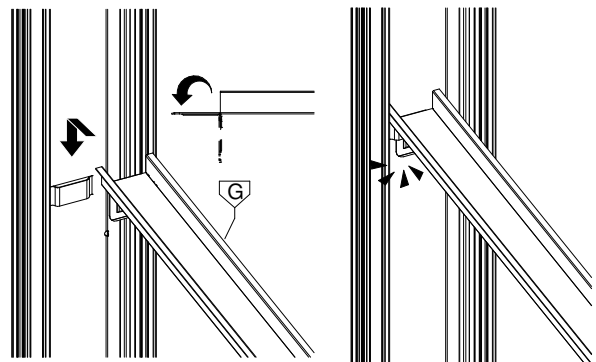
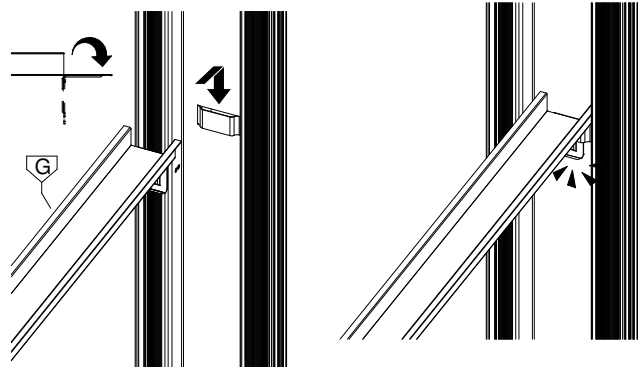
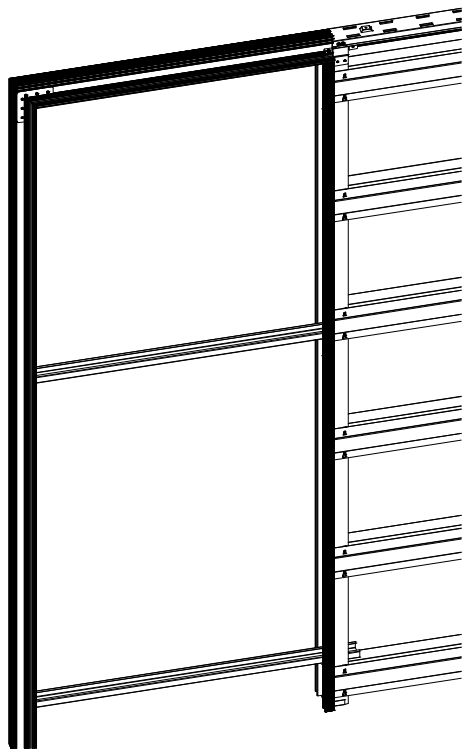
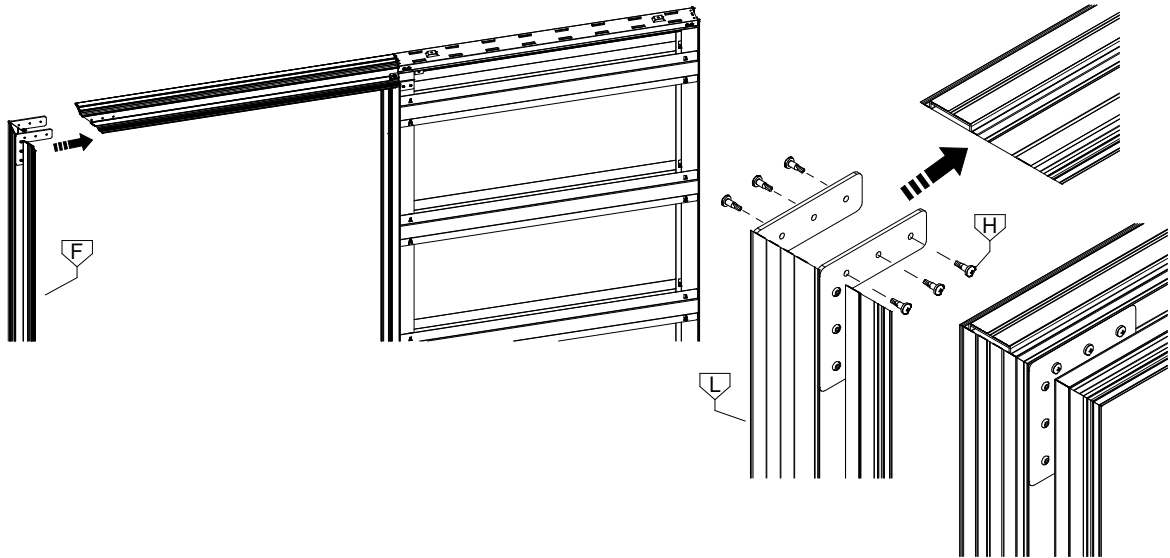


Subject to misprints, errors and technical modifications.
All dimensions are in mm

2.3

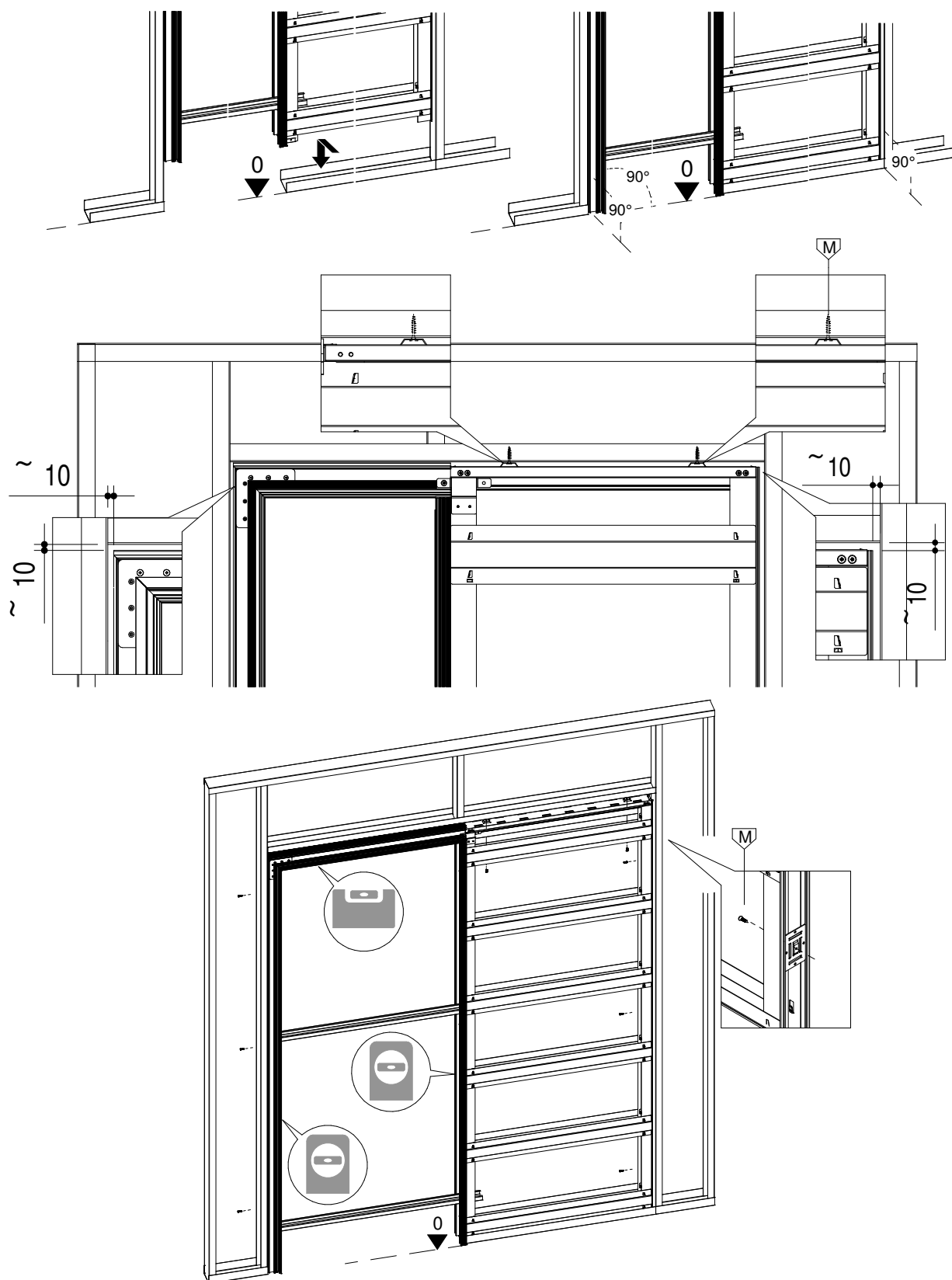


2.4

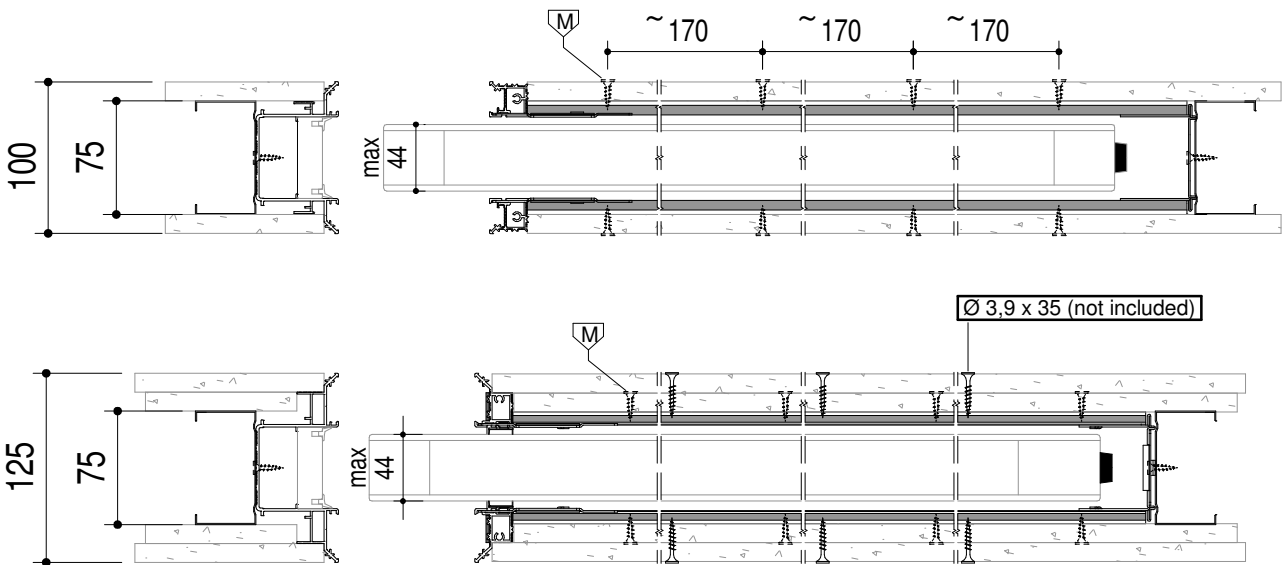
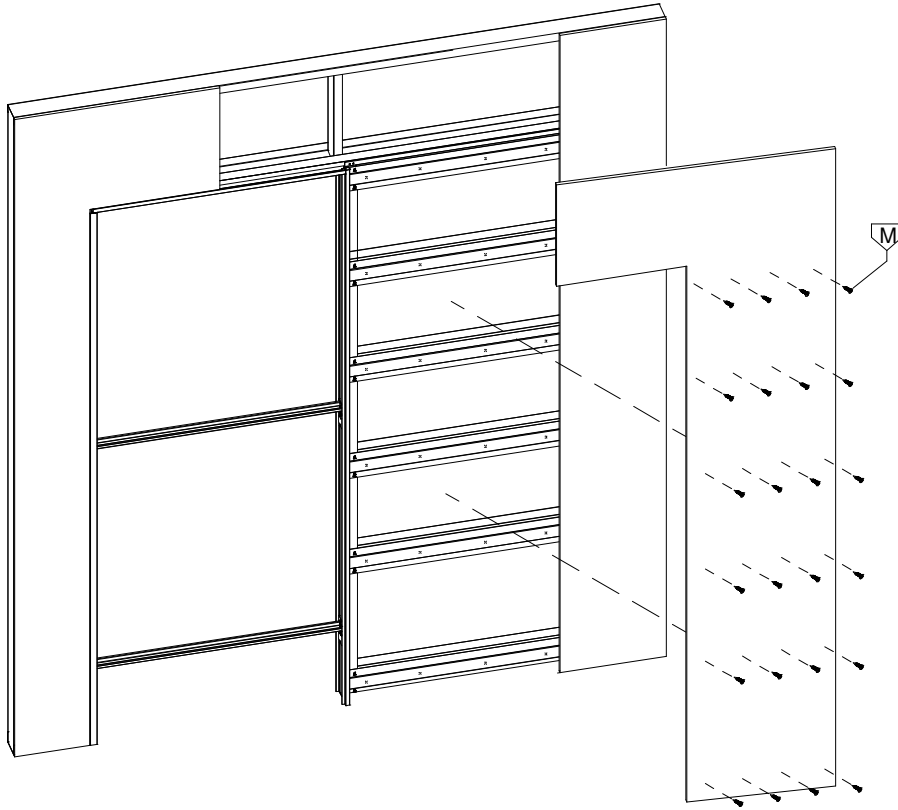


Subject to misprints, errors and technical modifications.
All dimensions are in mm

3.1



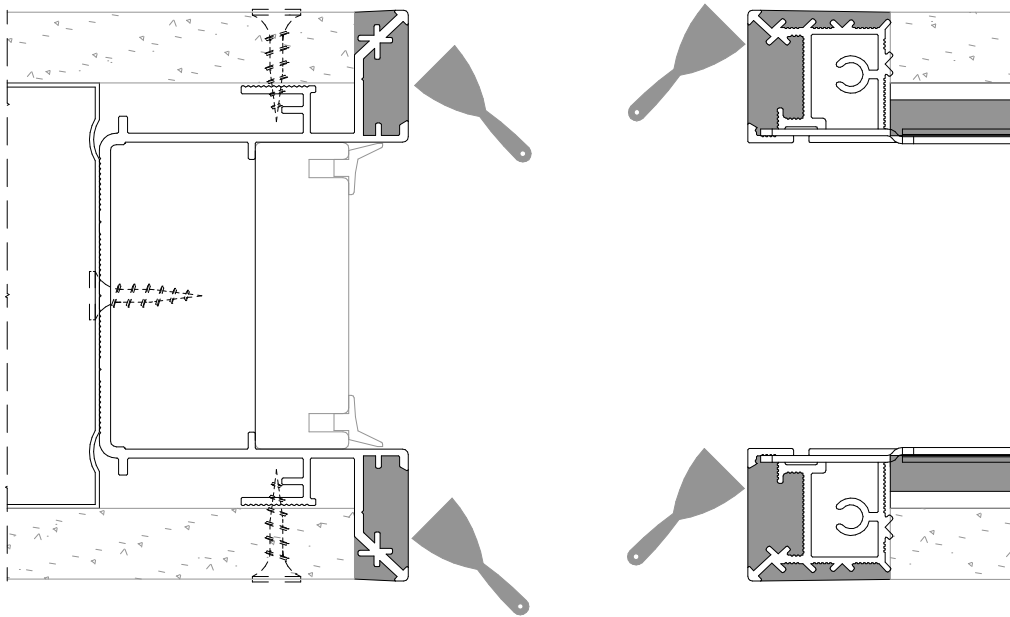
3.2



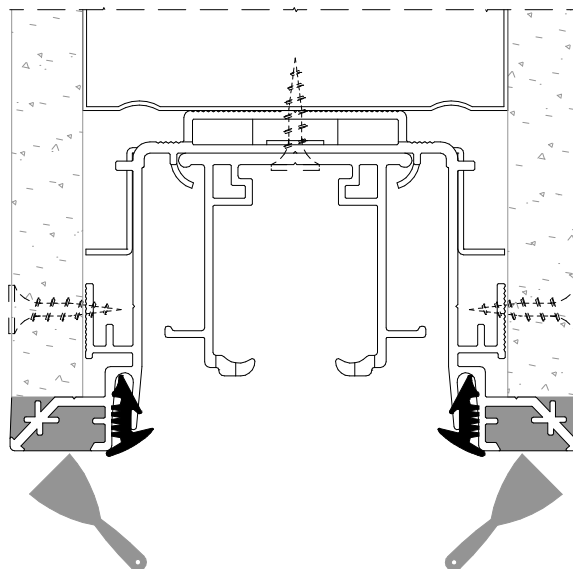
Subject to misprints, errors and technical modifications.
All dimensions are in mm

3.3

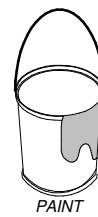
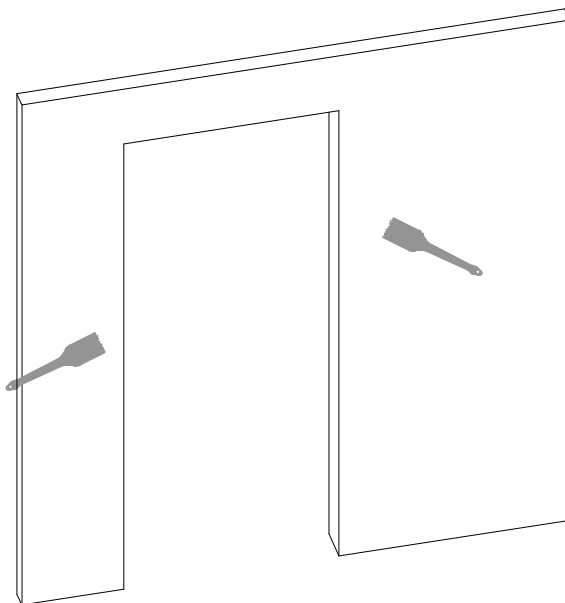
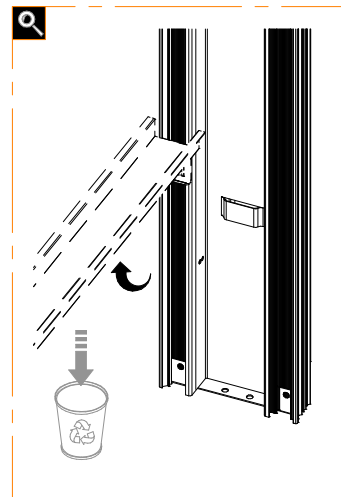
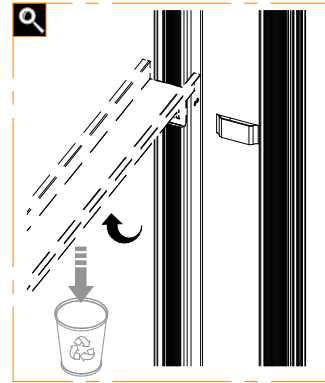
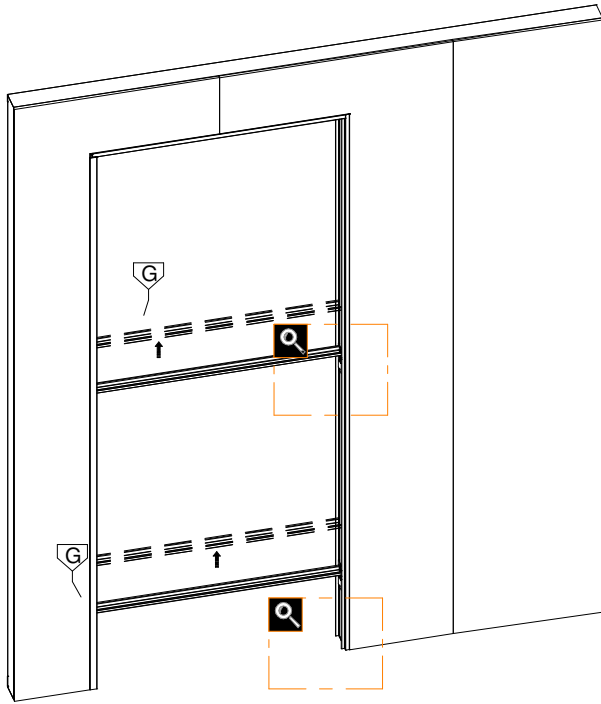
HORIZONTAL SECTION



VERTICAL SECTION



3.4





T. +39 (0)883535781



info@ermetika.it



www.ermetika.it



<https://www.youtube.com/c/ermetikasrl>