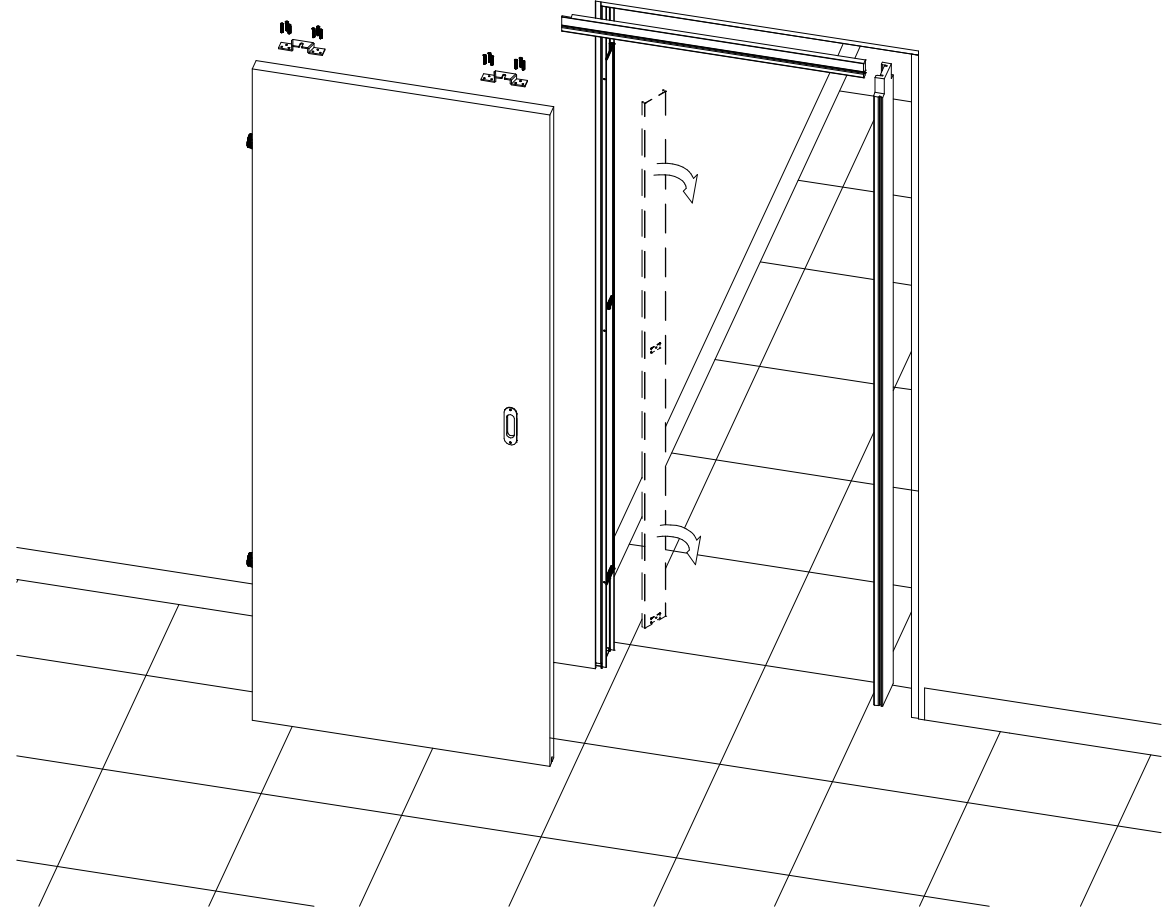
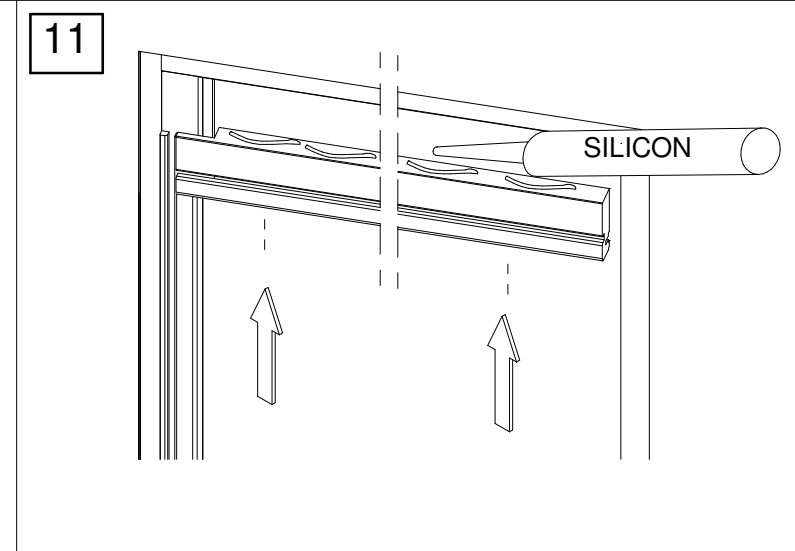
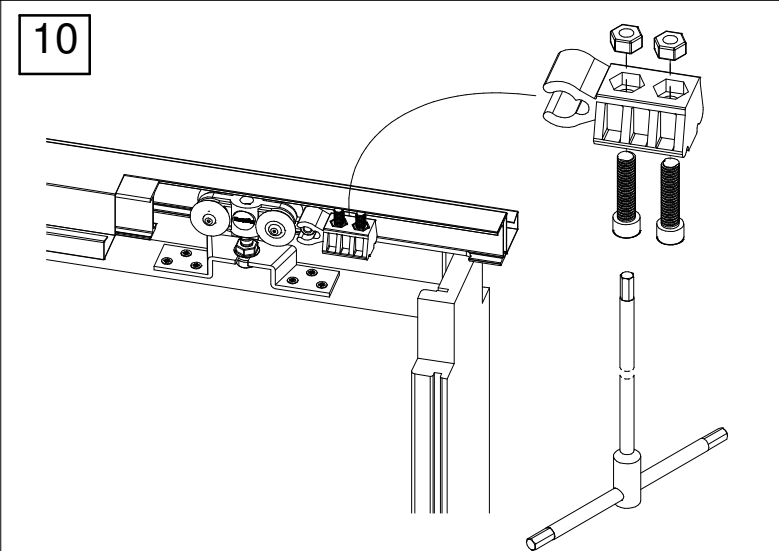
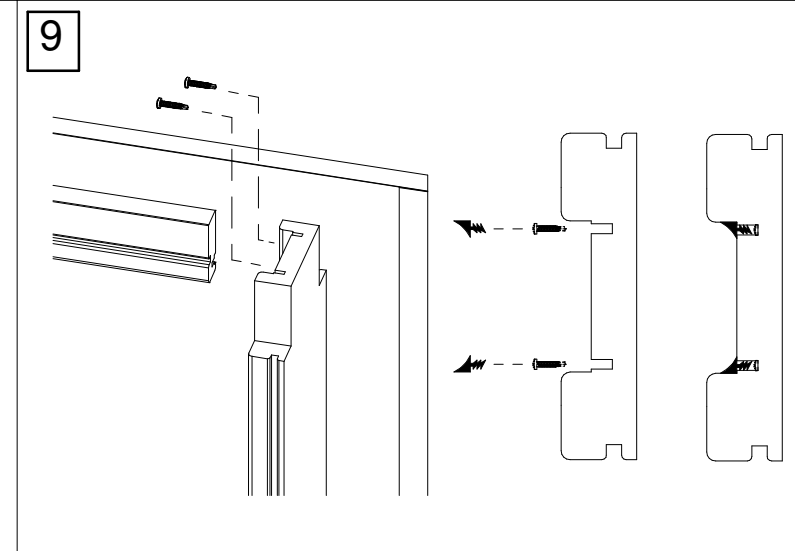
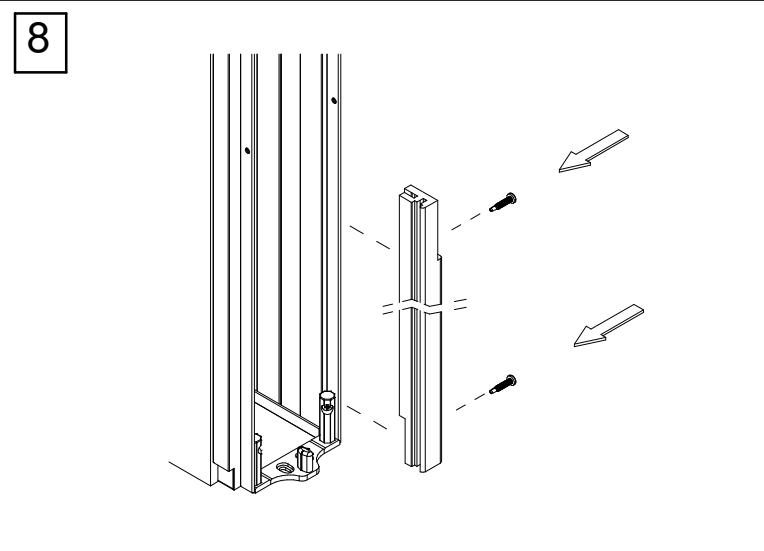
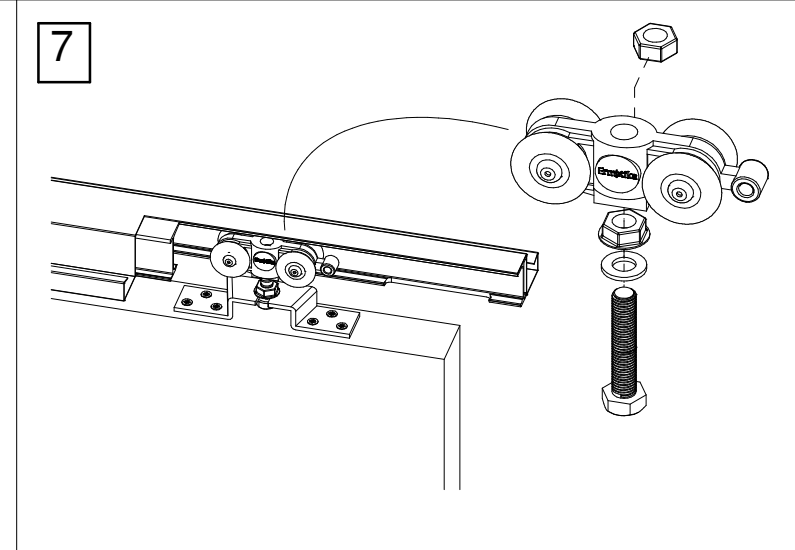
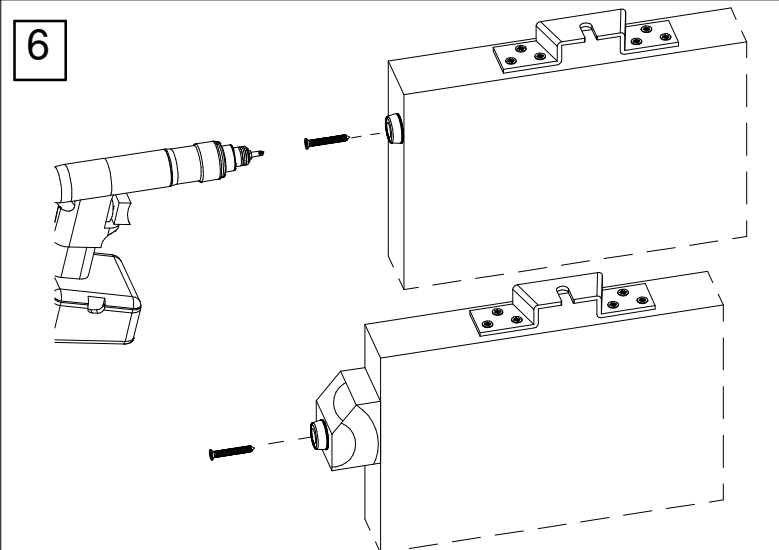
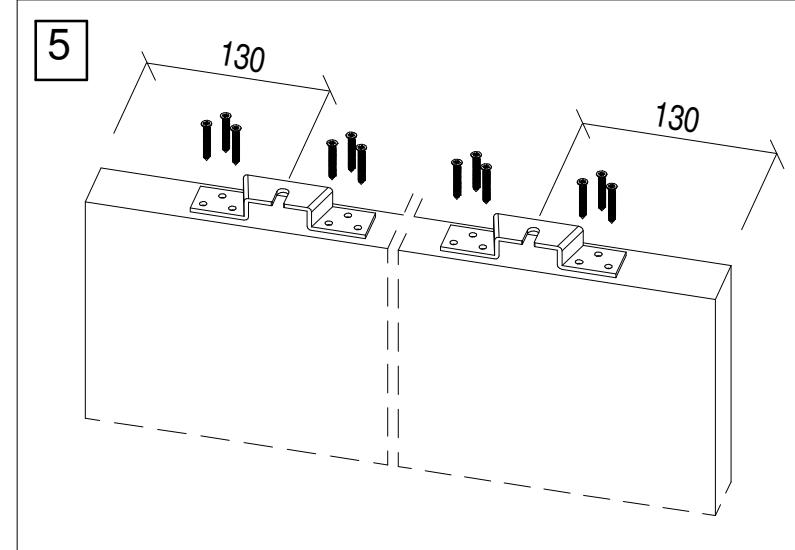
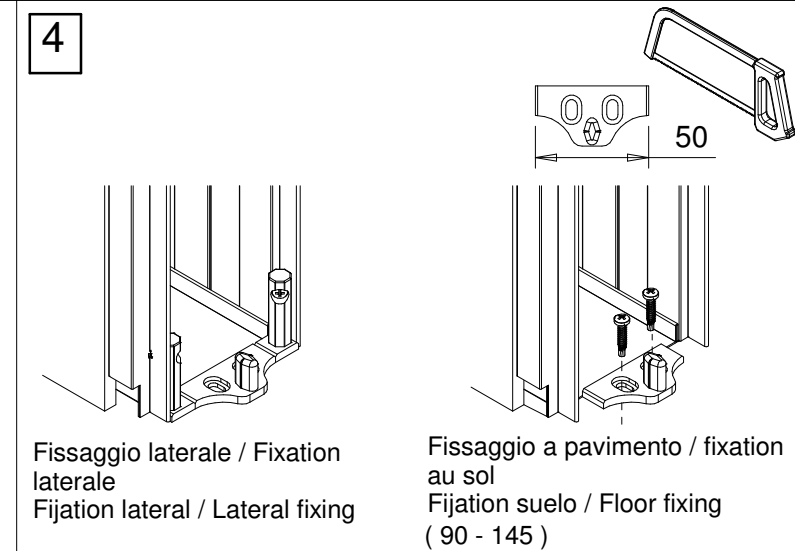
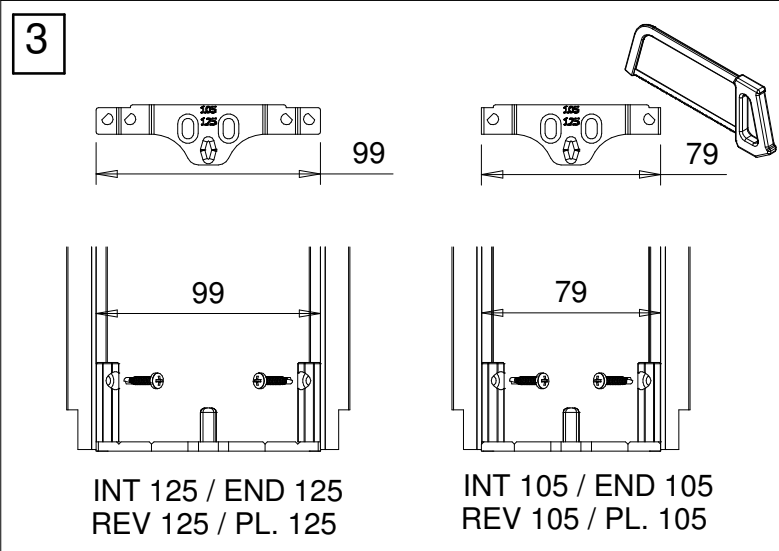
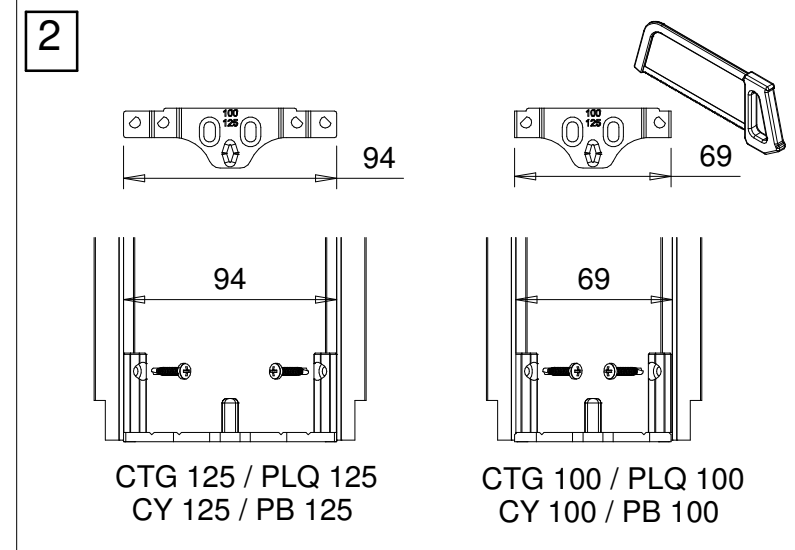
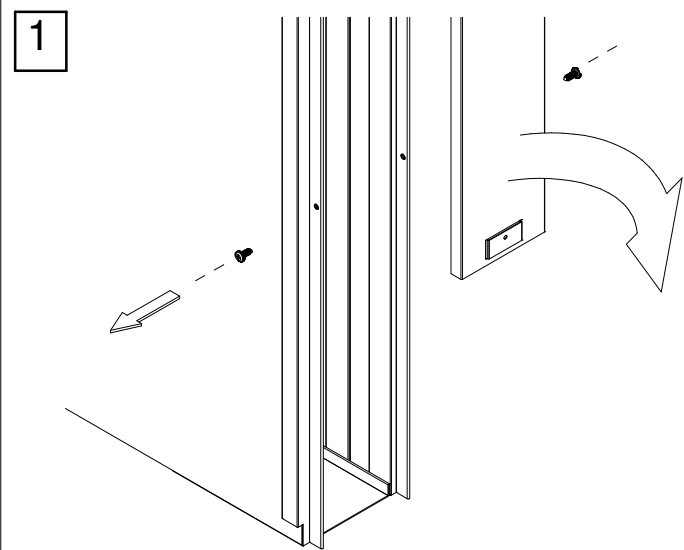


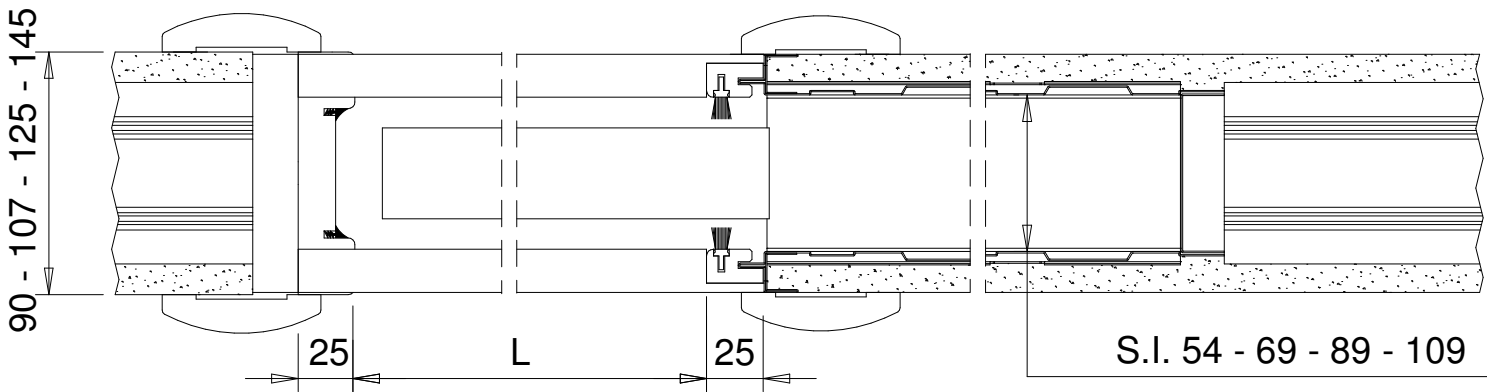
ERMETIKA s.r.l.
Via Trani, 126
70051 Barletta (BA) ITALY
Tel. +39.0883/535781
Fax +39.0883/532164
www.ermetika.it

Ermetika[®]
evolution

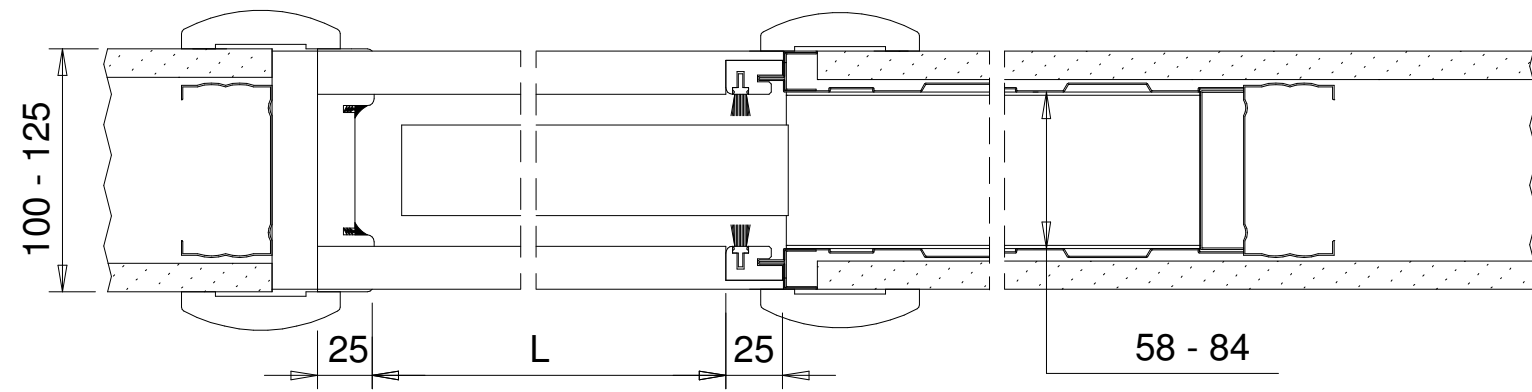


- 120 Kg
- 2 x
- 1 x
- 14 x
- 1 x
- 2 x
- 1 x
- 1 x
- 4 x

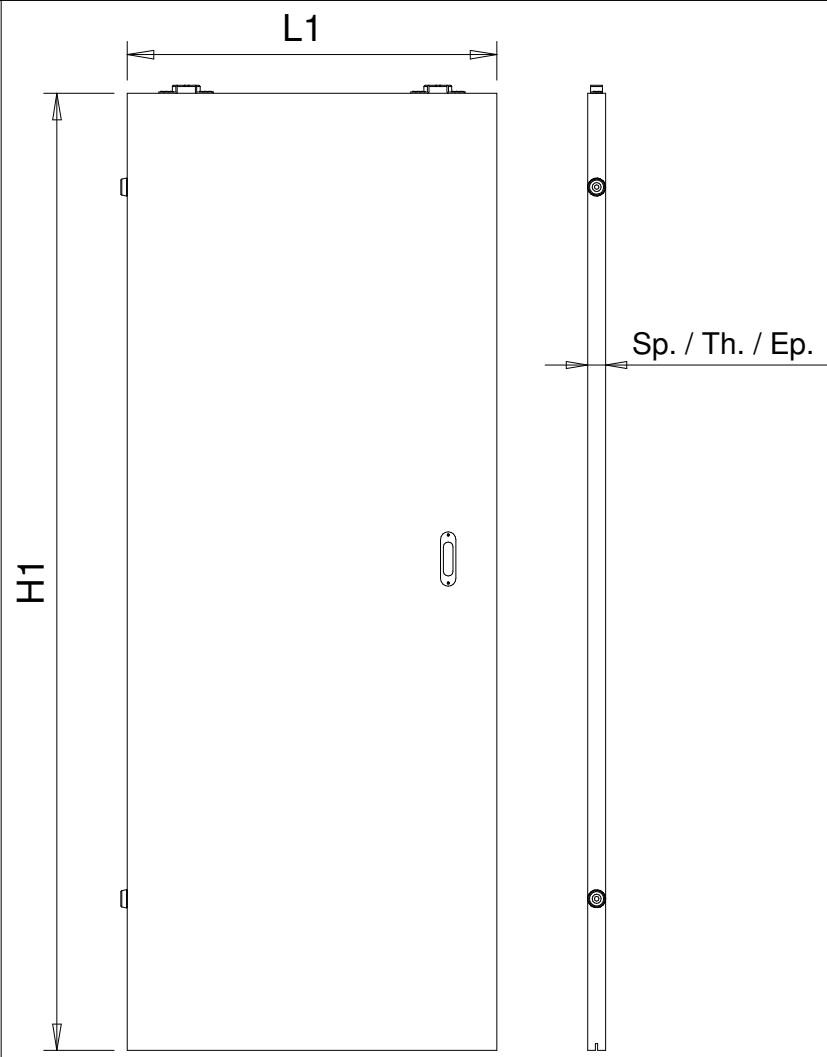
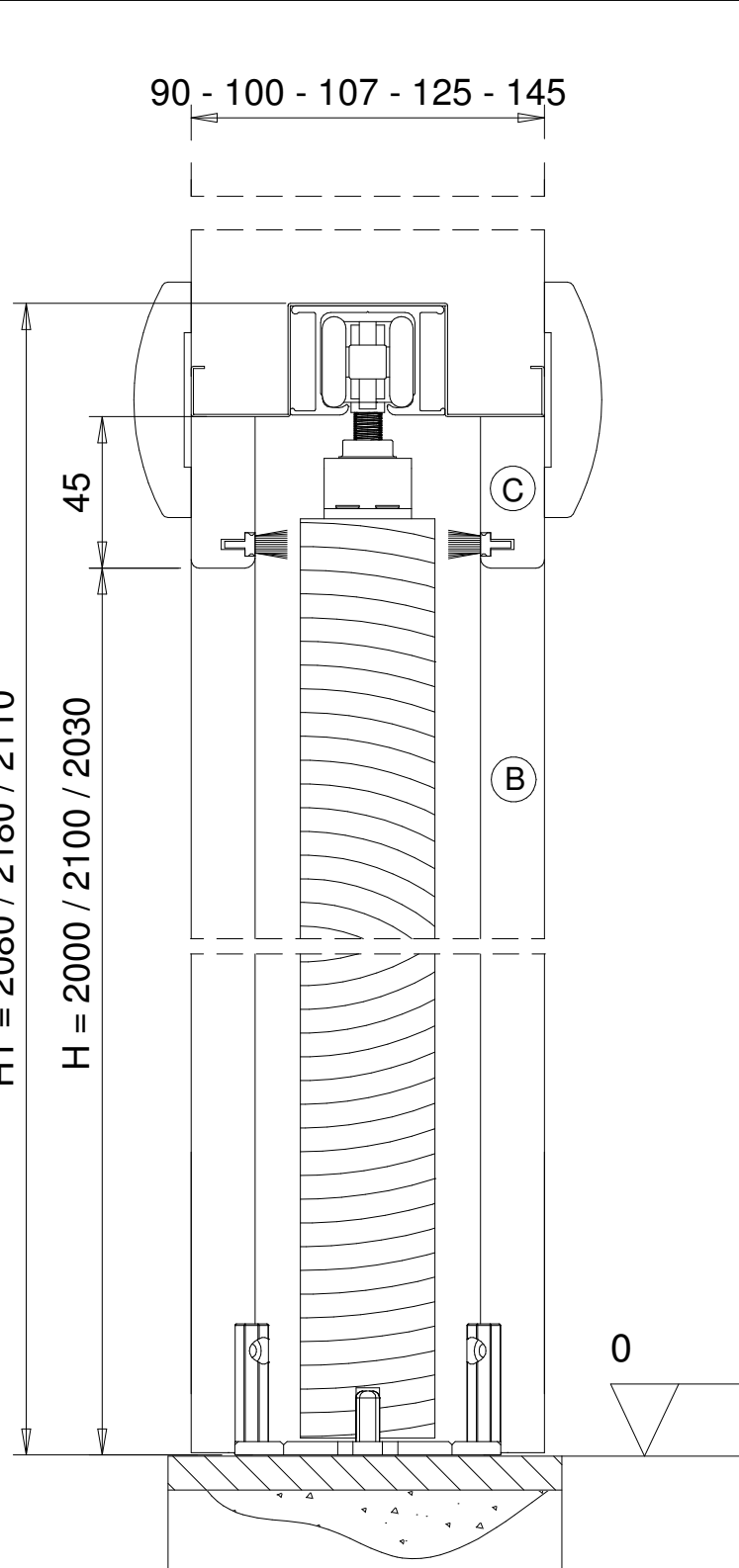




Intonaco / plaster / revoque / enduit

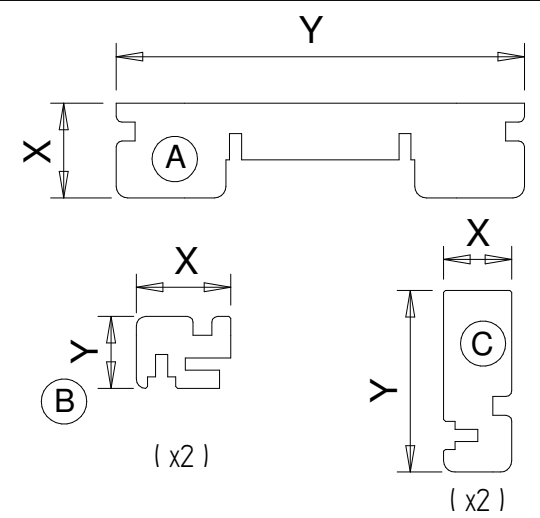


Cartongesso / plasterboard / carton yeso / plaque de platre



Singolo / Single D. / hoja unica / simple vantail L X H (mm)	Dim porta / Door dim. / dim. puerta / dim. porte L1 X H1 (mm)
600 X 2000/2100/2030	615 ~ 630 X 2010/2110/2040
700 X 2000/2100/2030	715 ~ 730 X 2010/2110/2040
800 X 2000/2100/2030	815 ~ 830 X 2010/2110/2040
900 X 2000/2100/2030	915 ~ 930 X 2010/2110/2040
1000 X 2000/2100/2030	1015 ~ 1030 X 2010/2110/2040
1100 X 2000/2100/2030	1115 ~ 1130 X 2010/2110/2040
1200 X 2000/2100/2030	1215 ~ 1230 X 2010/2110/2040

Doppia / Double d. / hoja d. / double vantaux L X H (mm)	Dim porta / Door dim. / dim. puerta / dim. porte L1 X H1 (mm)
1200 X 2000/2100/2030	2 x (615 ~ 630) X 2010/2110/2040
1400 X 2000/2100/2030	2 x (715 ~ 730) X 2010/2110/2040
1600 X 2000/2100/2030	2 x (815 ~ 830) X 2010/2110/2040
1800 X 2000/2100/2030	2 x (915 ~ 930) X 2010/2110/2040
2000 X 2000/2100/2030	2 x (1015 ~ 1030) X 2010/2110/2040
2200 X 2000/2100/2030	2 x (1115 ~ 1130) X 2010/2110/2040
2400 X 2000/2100/2030	2 x (1215 ~ 1230) X 2010/2110/2040



STIPITI / FRAME		SP		
		90	100/107	125
A	X	25	25	25
	Y	90	100/107	125
B	X	25	25	25
	Y	19	19	32
C	X	18	18	32
	Y	48	48	48

Intonaco / plaster / revoque / enduit (mm)		
Par. fin./fin. wall/cloison finie/pared term.	S.I.	Sp./Th./Ep.
90	54	40
107	69	42
125	89	64
145	109	70

Cartongesso / plasterboard / carton yeso / plaque de platre (mm)		
Par. fin./fin. wall/cloison finie/pared term.	S.I.	Sp./Th./Ep.
100	58	42
125	84	64

