

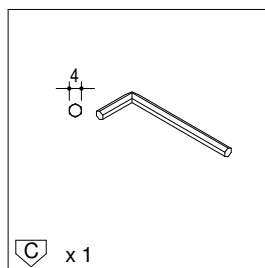
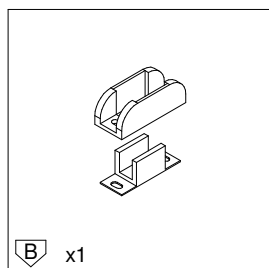
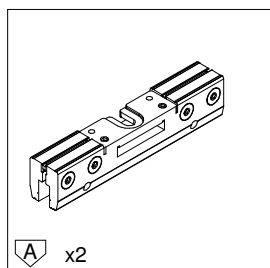
**ISTRUZIONE DI MONTAGGIO
SETUP INSTRUCTION
INSTRUCTION MONTAGE
INSTRUCCIONES DE MONTAJE**

MOD. KIT PINZE PER ANTA VETRO

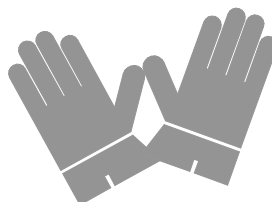
A.776.14

CONTENUTO KIT | CONTENTS

Dotazione - Standard equipment - Equipement standard - Equipo standard

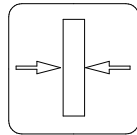


Attrezzatura - Tools - Outils - Herrajes



CONTENUTO KIT | CONTENTS

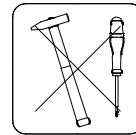
Panoramica - Overall view - Vue d' ensemble - General



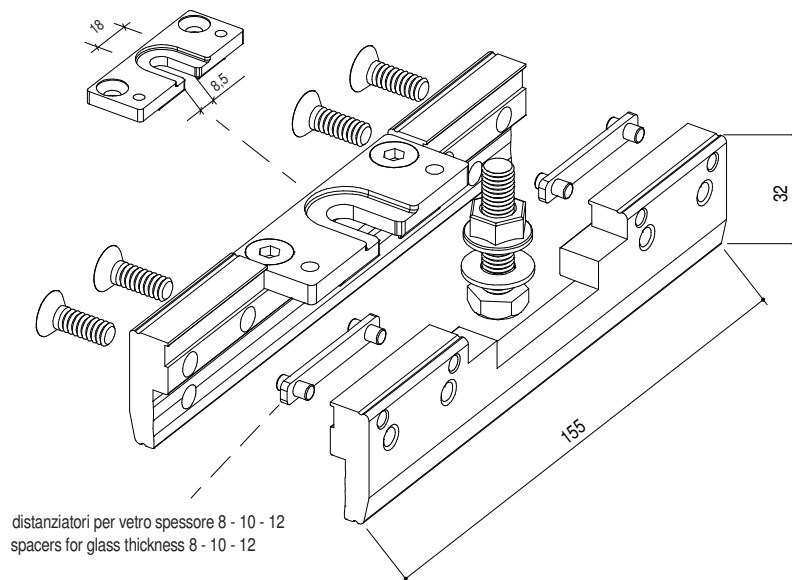
8 ~ 12 mm



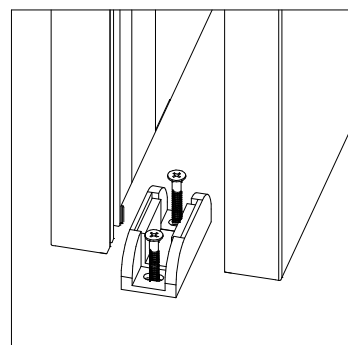
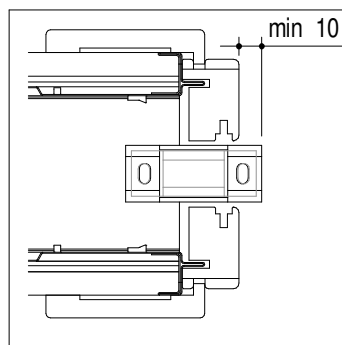
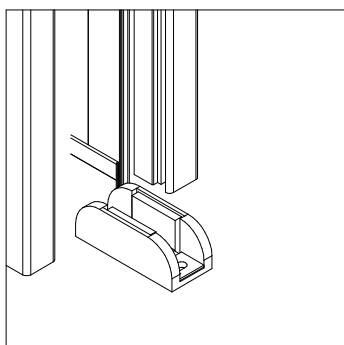
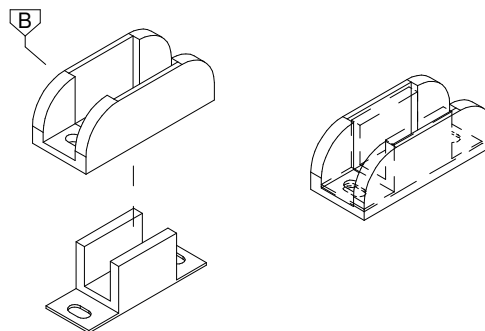
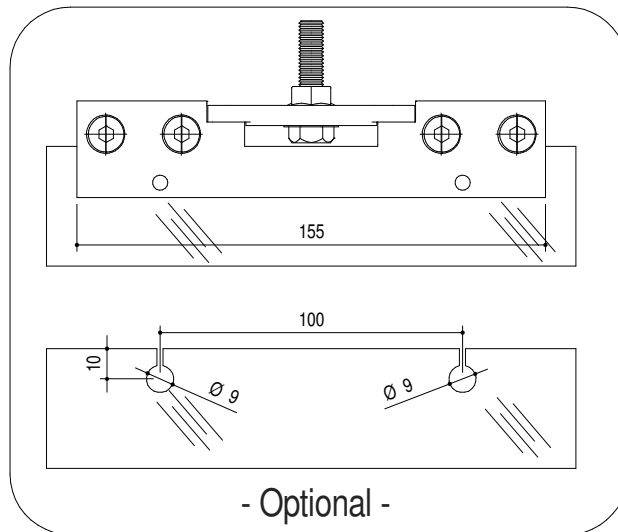
250 KG



EASY



1.1



1.2

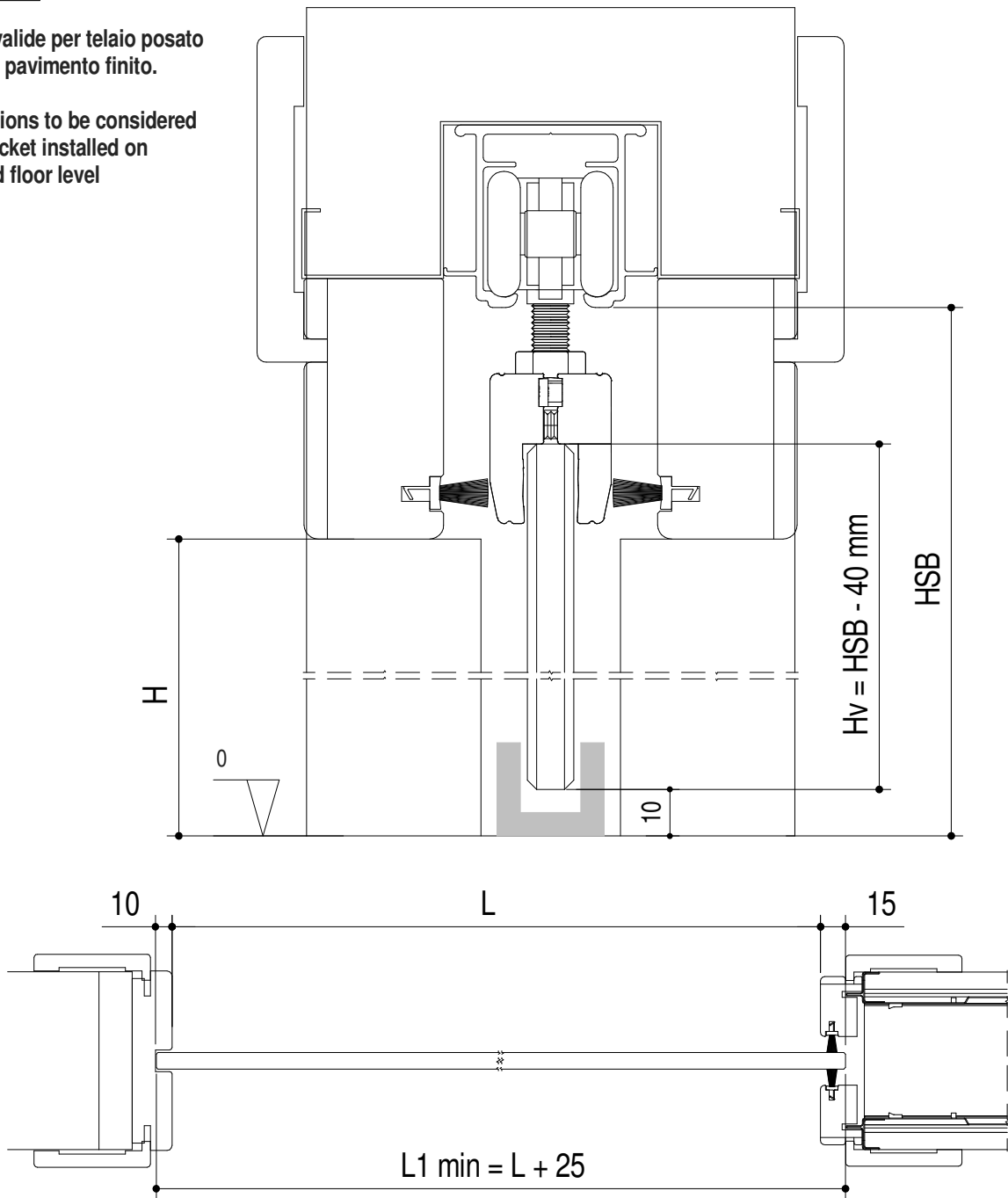
$$H_v = H + 10 \text{ mm}$$

$$H_v = HSB - 40 \text{ mm}$$



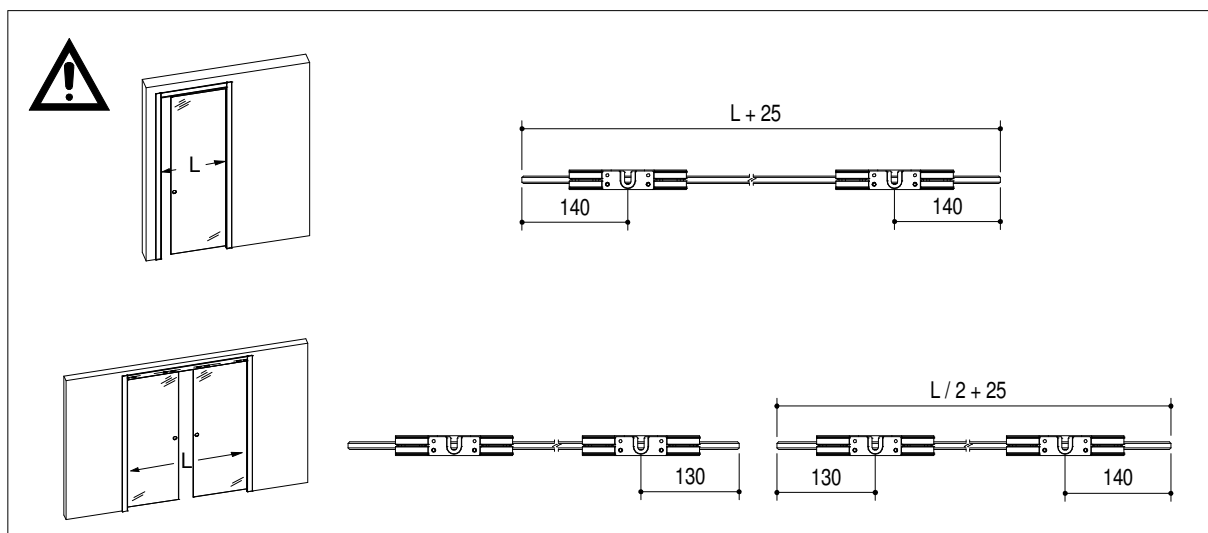
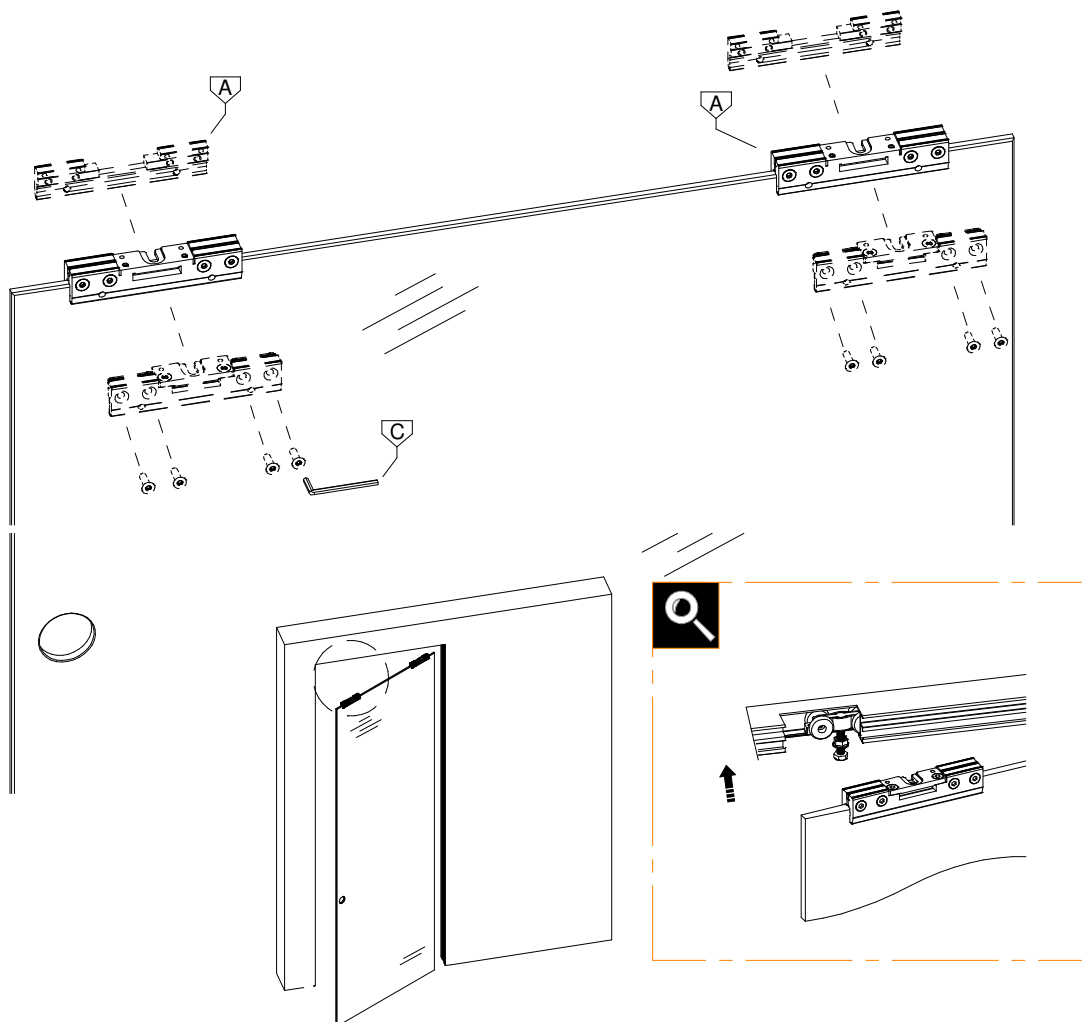
Quote valide per telaio posato a quota pavimento finito.

Dimensions to be considered with pocket installed on finished floor level



Subject to misprints, errors and technical modifications.
All dimensions are in mm

1.3



Ermetika®

DESIGN PASSAGES



T. +39 (0)883535781



info@ermetika.it



www.ermetika.it



<https://www.youtube.com/c/ermetikasrl>