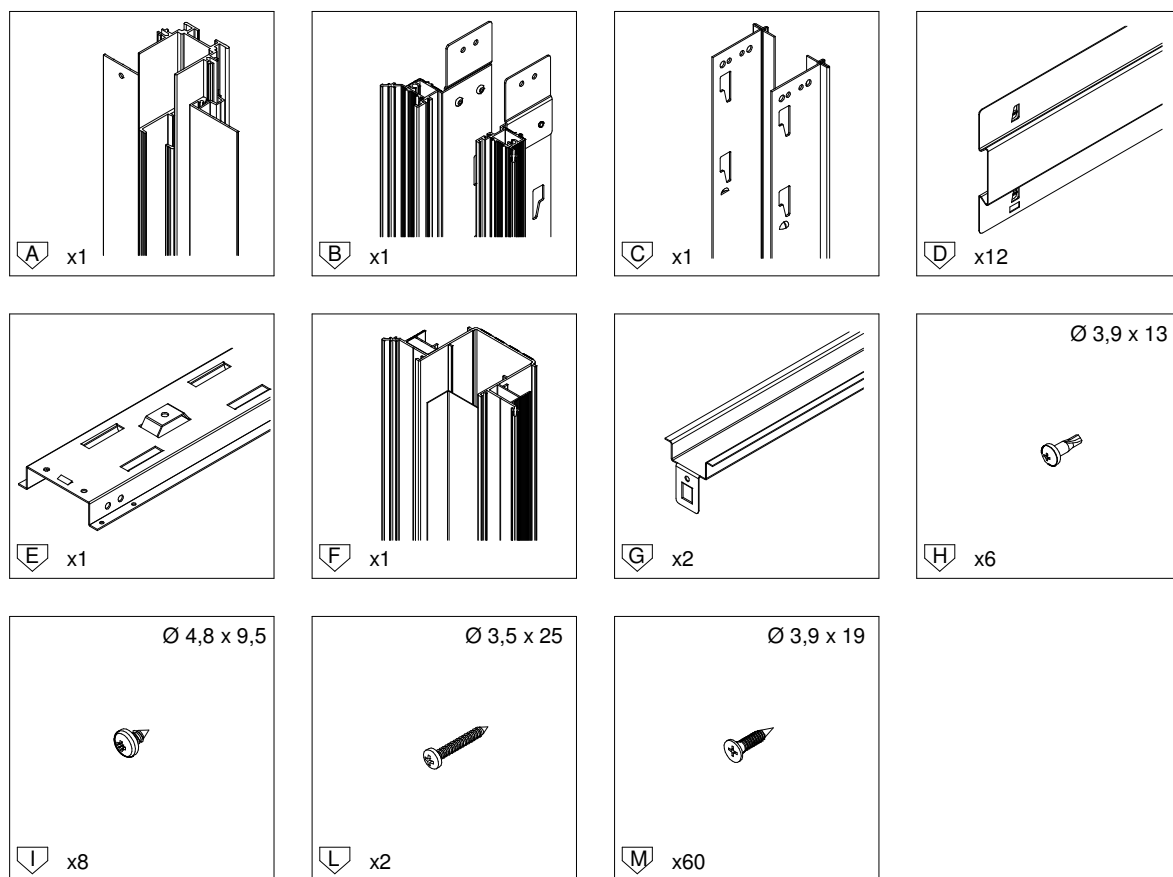


**ISTRUZIONE DI MONTAGGIO  
SETUP INSTRUCTION  
INSTRUCTION MONTAGE  
INSTRUCCIONES DE MONTAJE**

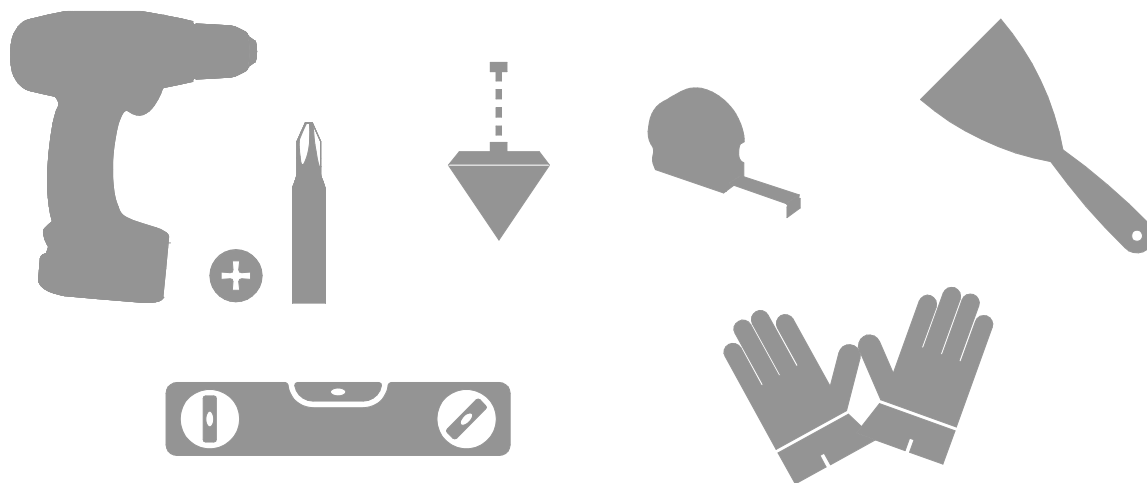
**MOD.: - ABSOLUTE EVO - TH**

# CONTENUTO KIT | CONTENTS

Dotazione - Standard equipment - Equipement standard - Equipo standard



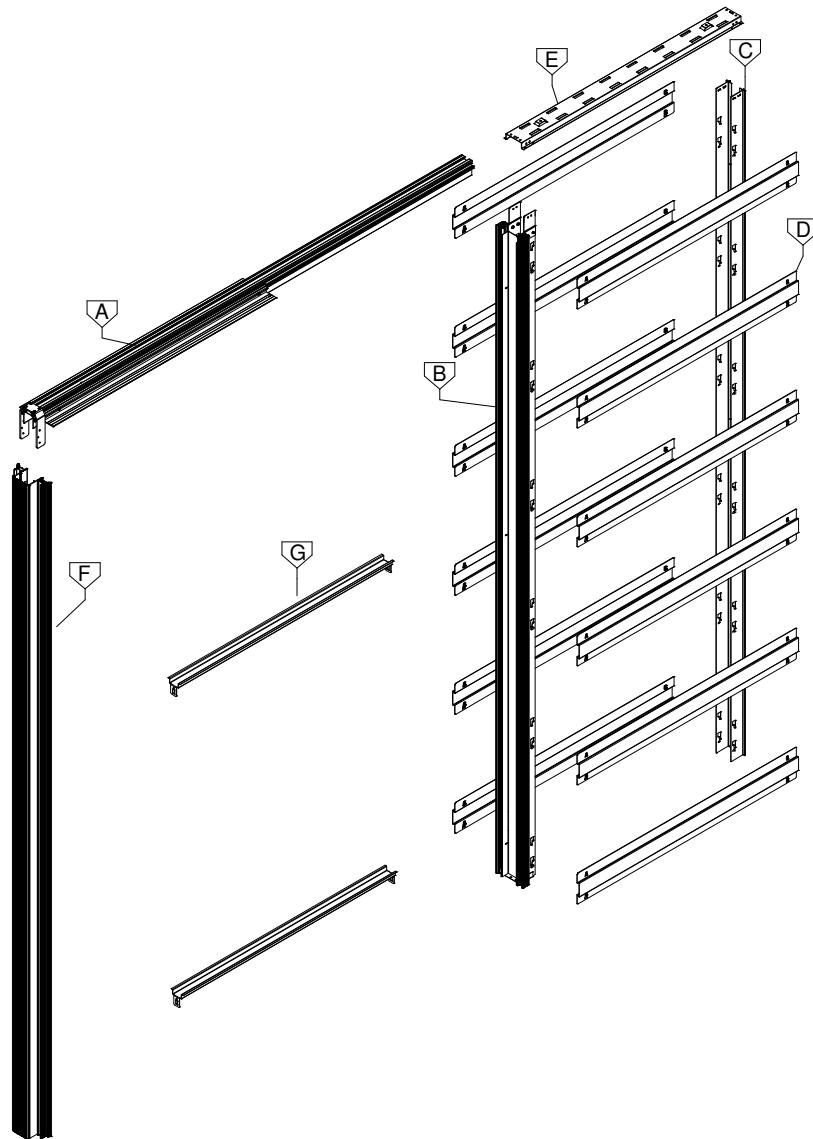
Attrezzatura - Tools - Outils - Herrajes



# CONTENUTO KIT | CONTENTS

Panoramica - Overall view - Vue d'ensemble - General

---

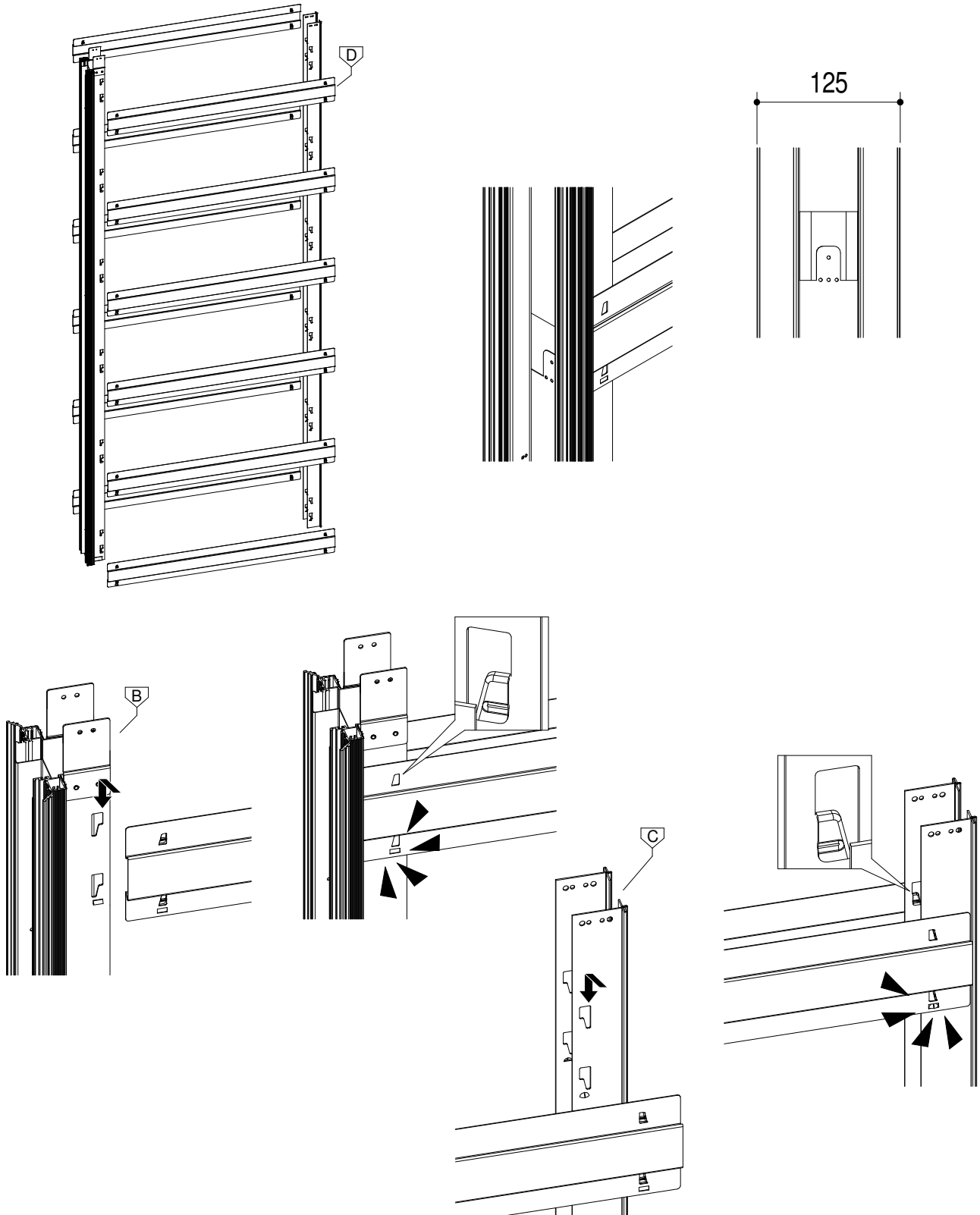


## INDICE - INDEX

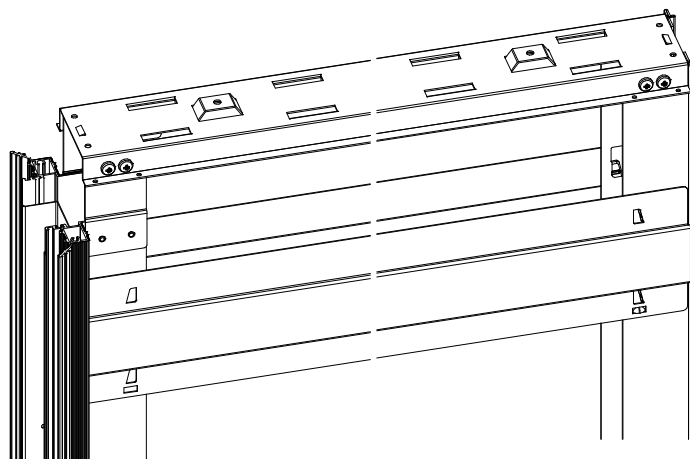
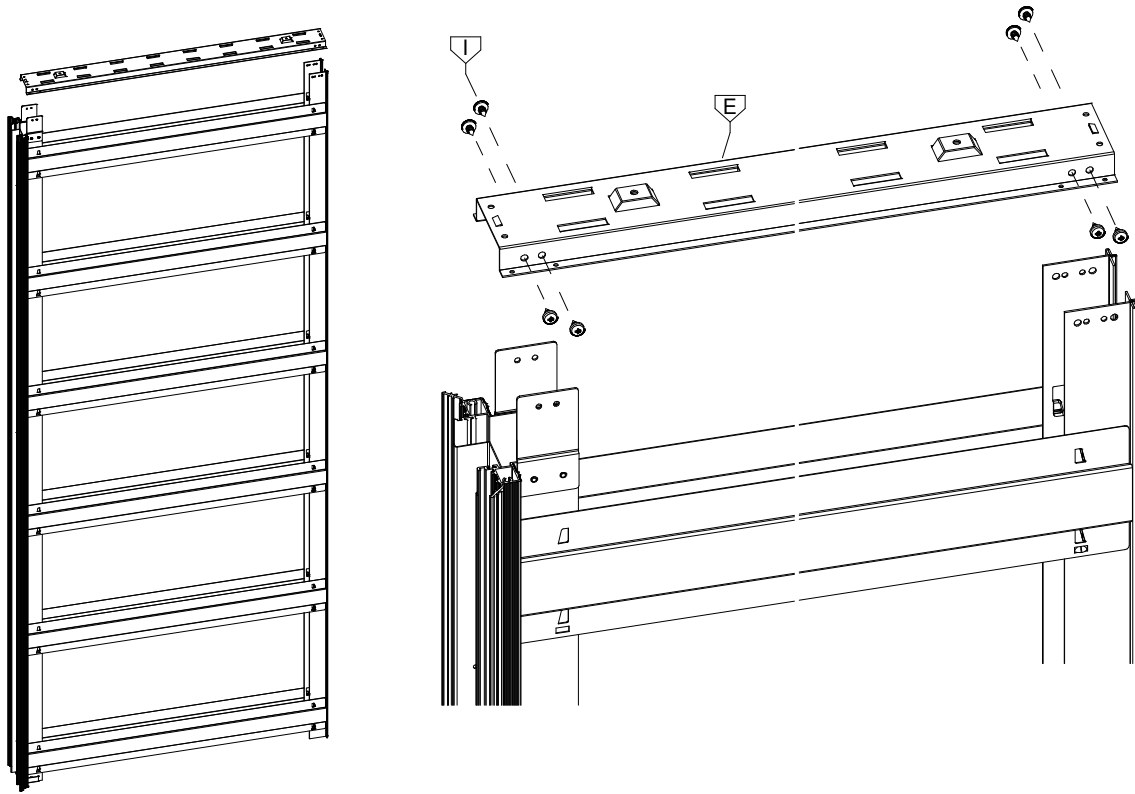
---

Montaggio spessore parete 125 - Setup for 125 finished wall	3-6
Montaggio cartongesso - Setup plasterboard	7-8
Stuccatura profili perimetrali - Perimeter profiles plastering	9

2.1

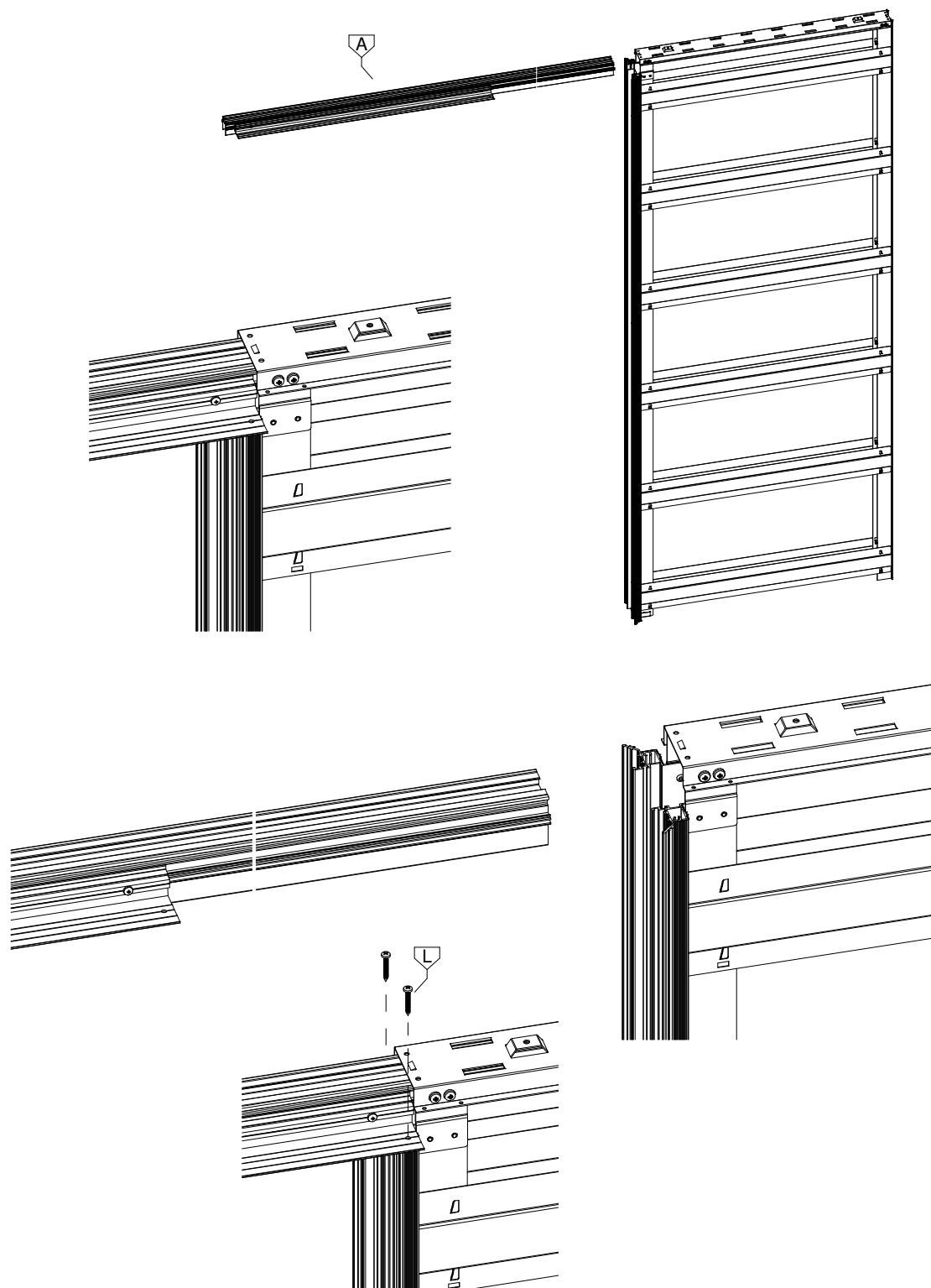


2.2

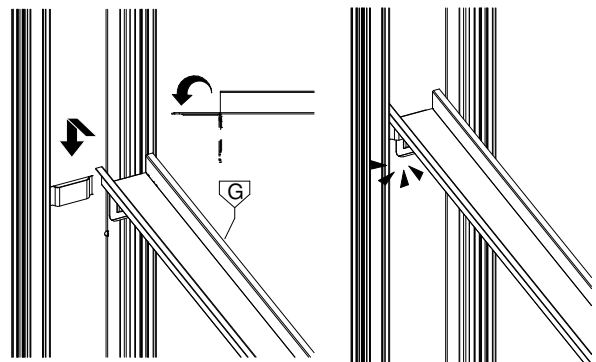
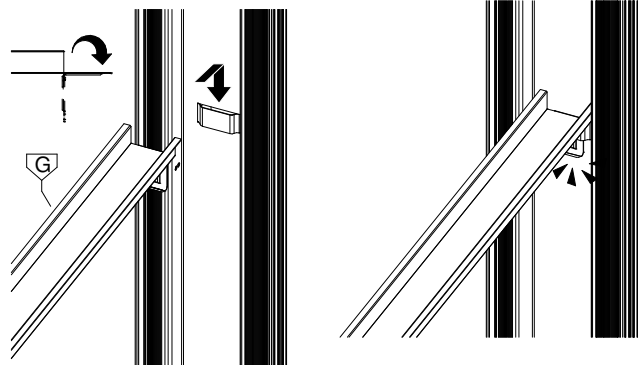
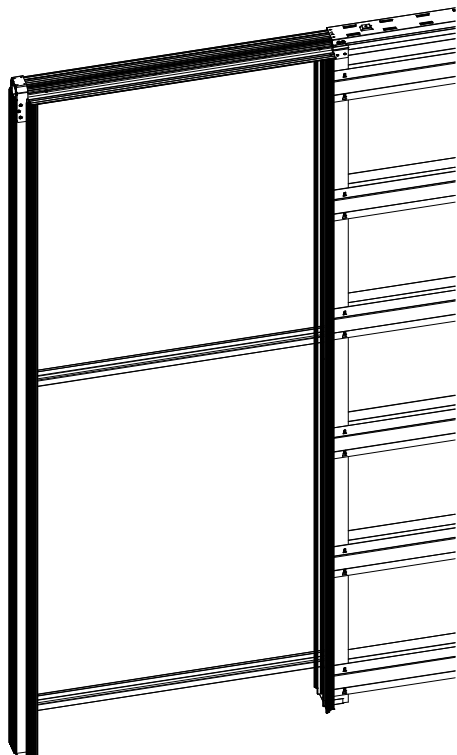
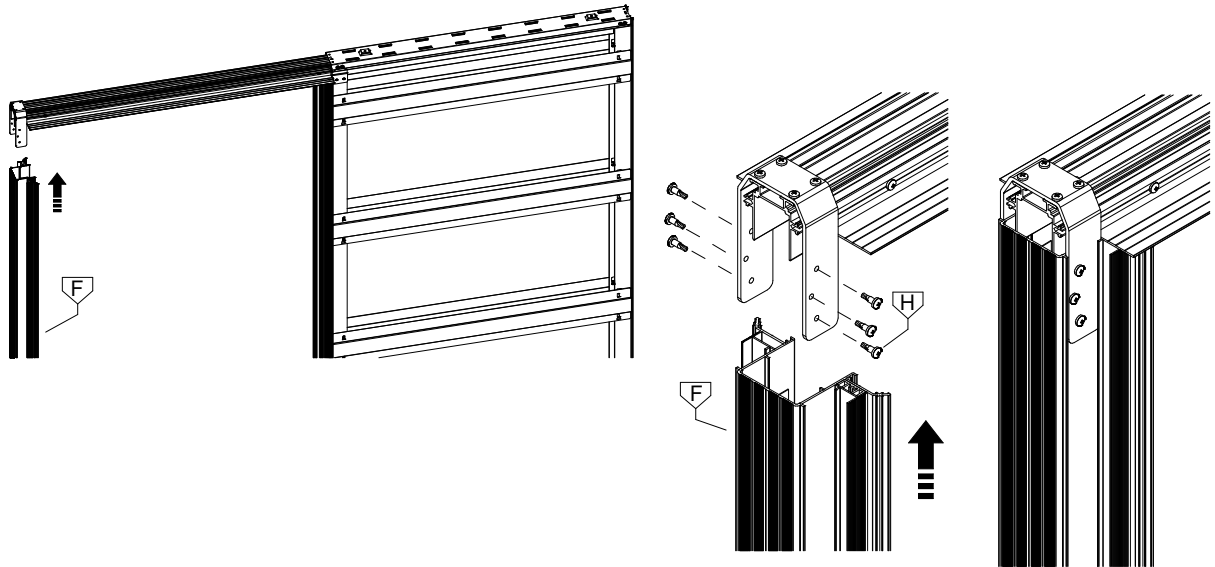


Subject to misprints, errors and technical modifications.  
All dimensions are in mm

2.3

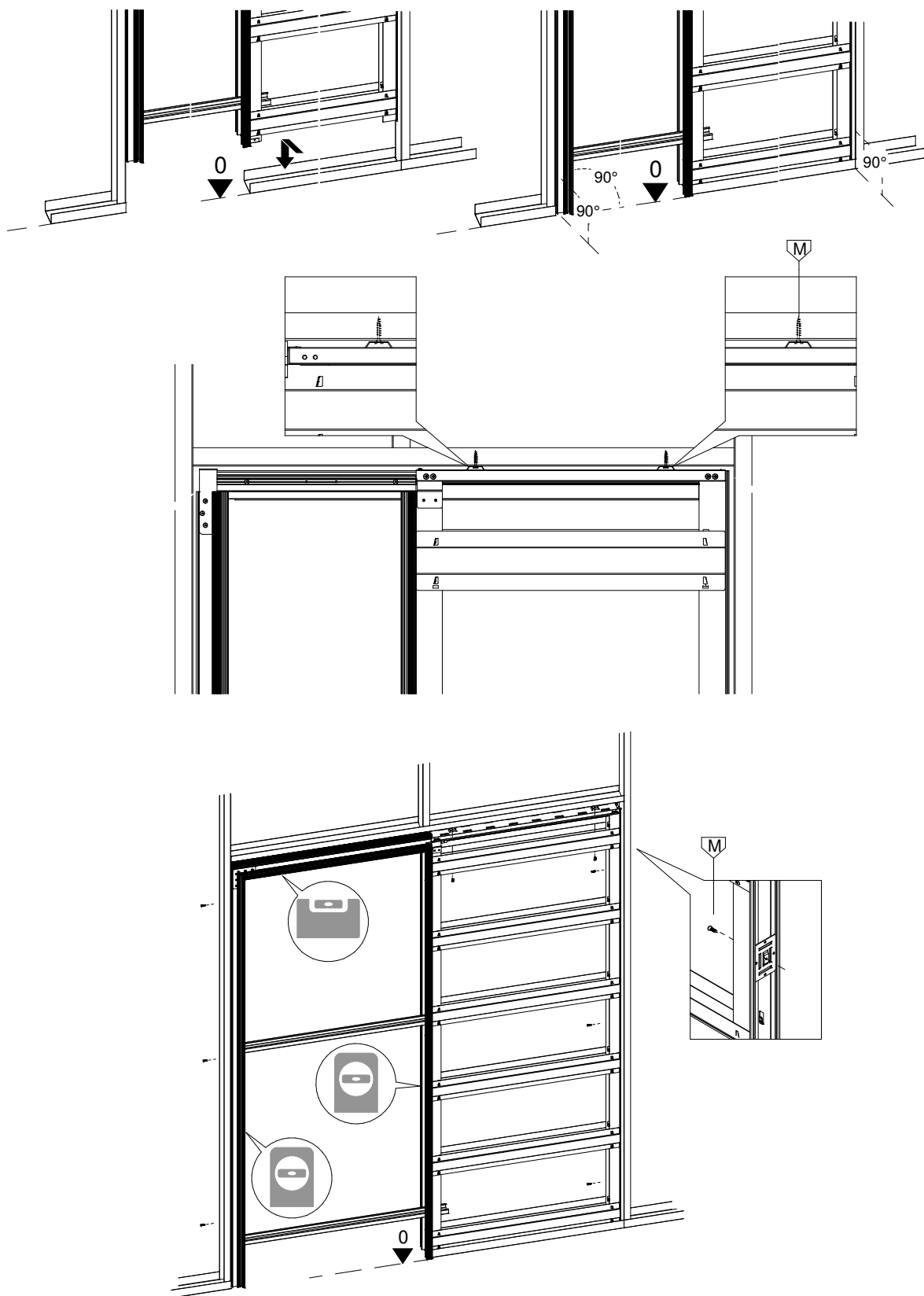


2.4



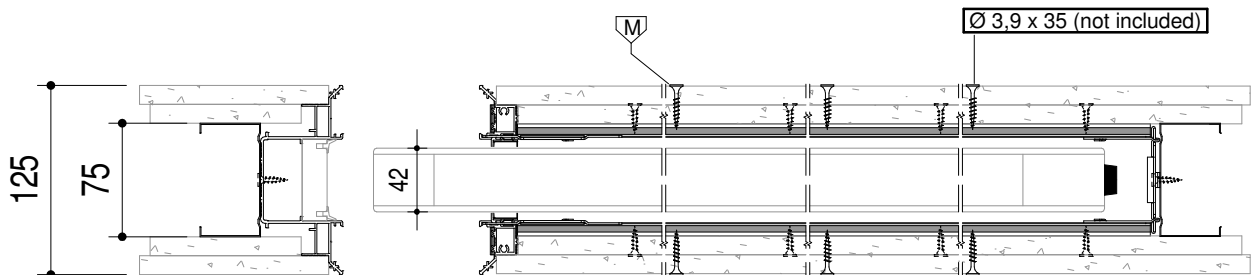
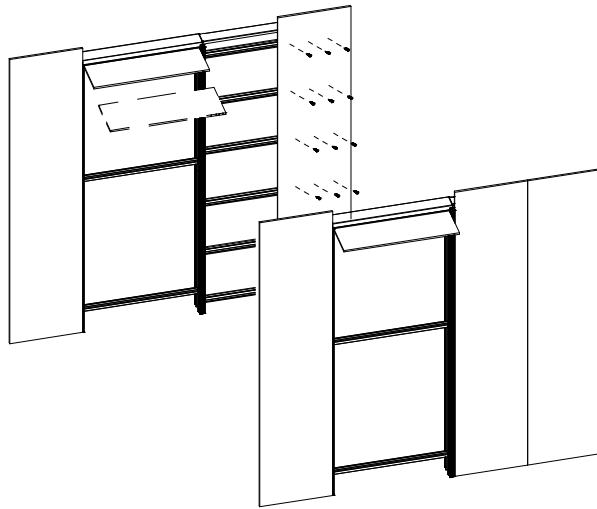
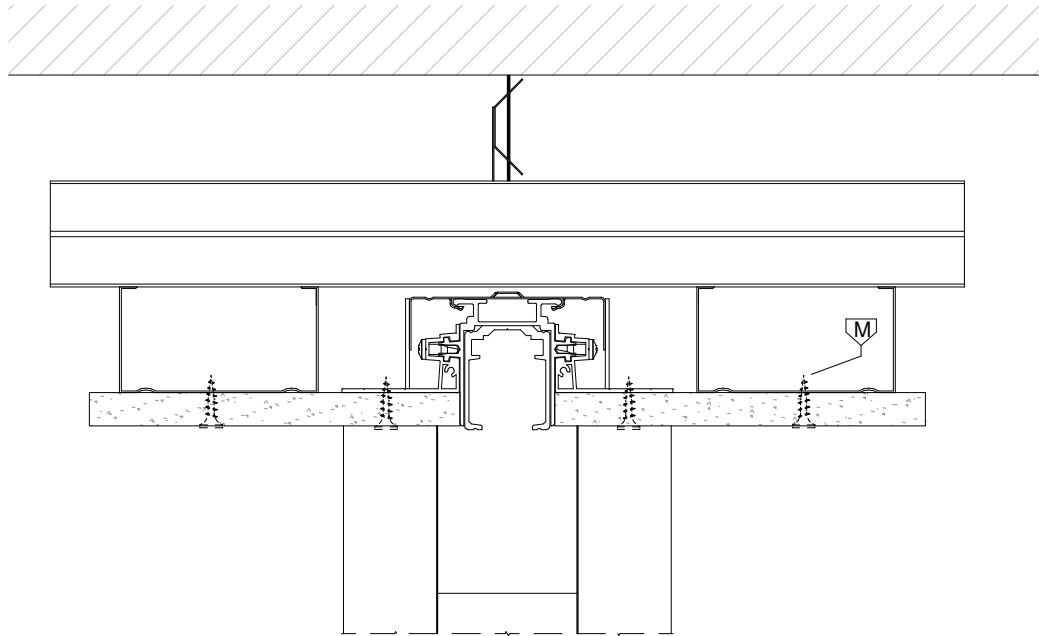
Subject to misprints, errors and technical modifications.  
All dimensions are in mm

3.1





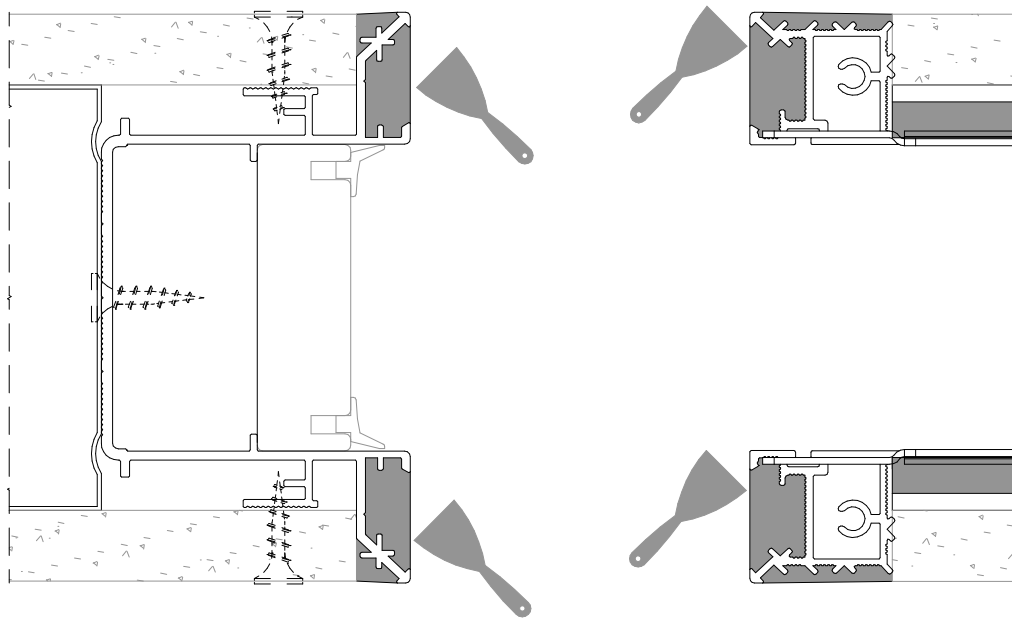
3.2



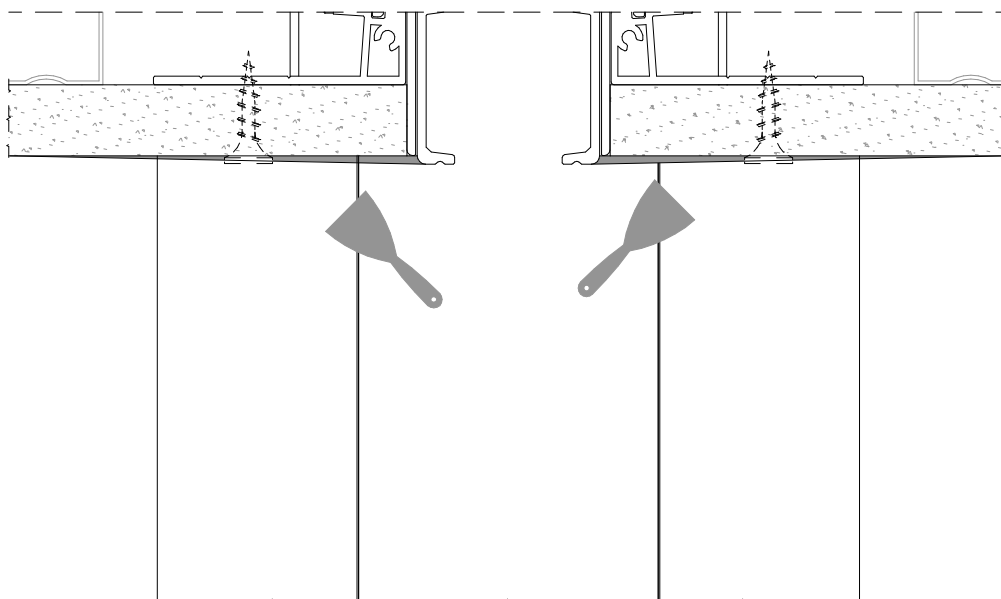
Subject to misprints, errors and technical modifications.  
All dimensions are in mm

3.3

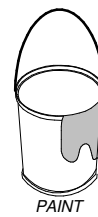
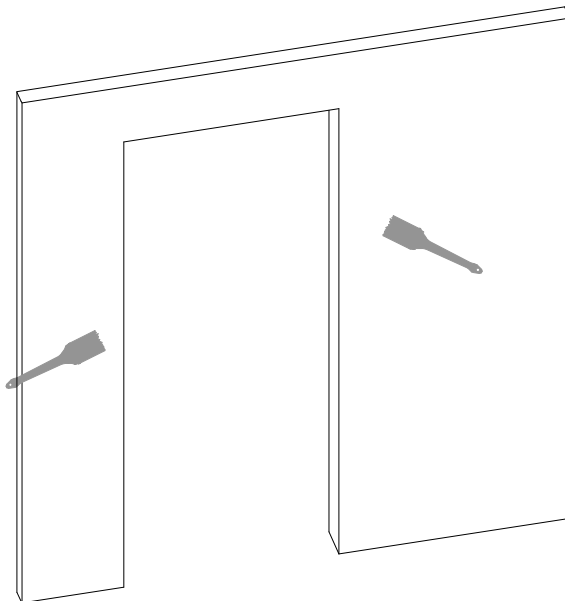
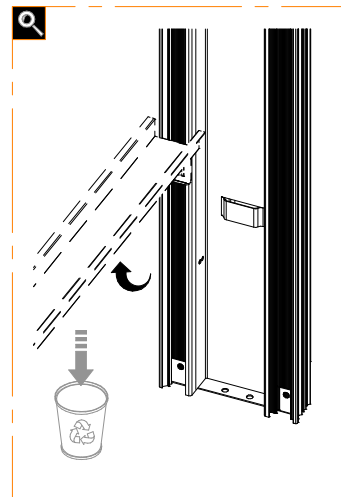
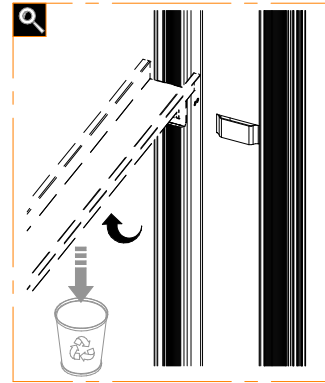
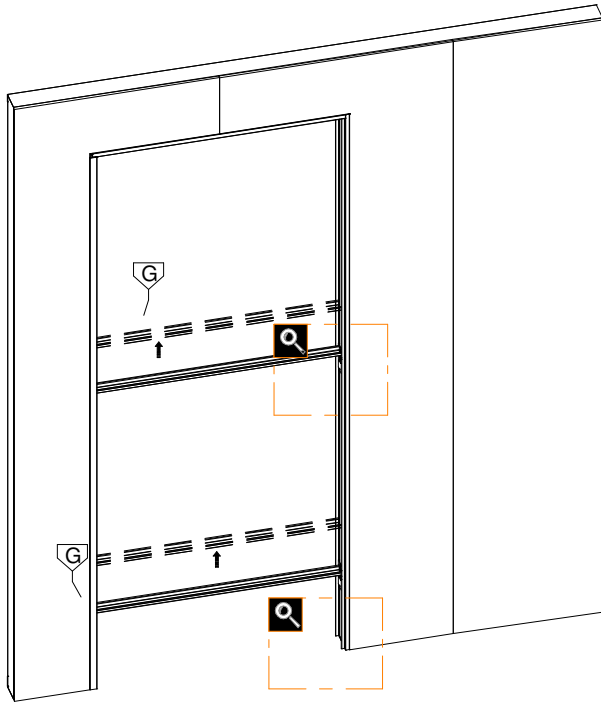
HORIZONTAL SECTION



VERTICAL SECTION



3.4



# Ermetika®

DESIGN PASSAGES



T. +39 (0)883535781



info@ermetika.it



www.ermetika.it



<https://www.youtube.com/c/ermetikasrl>